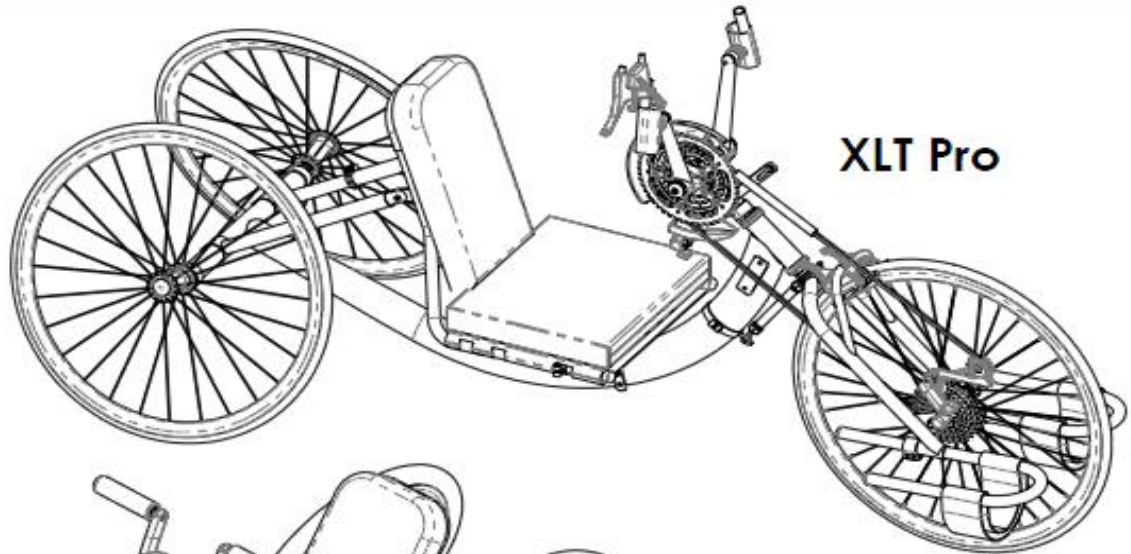


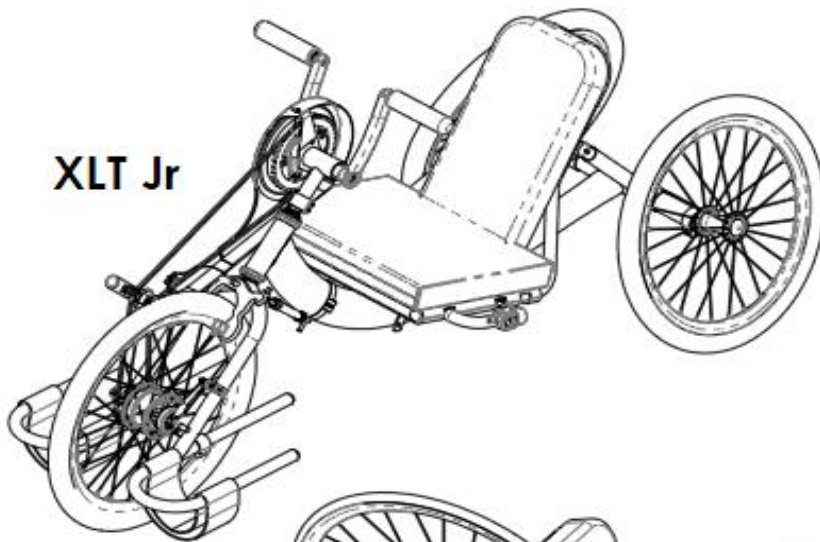


Sports and Recreation Products  
4501 63rd Circle North  
Pinellas Park, FL 33781  
(800) 532-8677 (727) 522-8677  
Fax: (727)522-1007

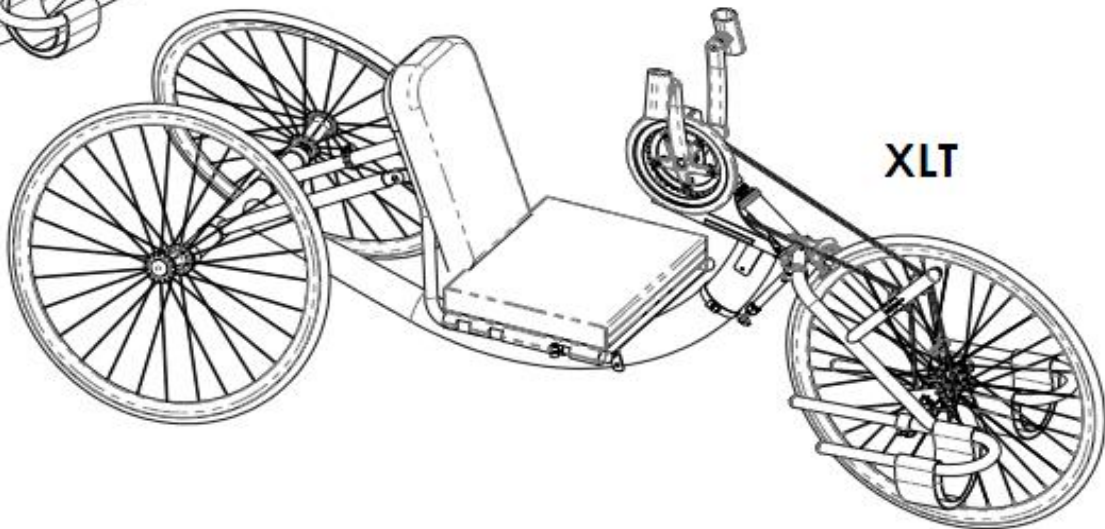
## Invacare Top End Parts Catalog



**XLT Pro**

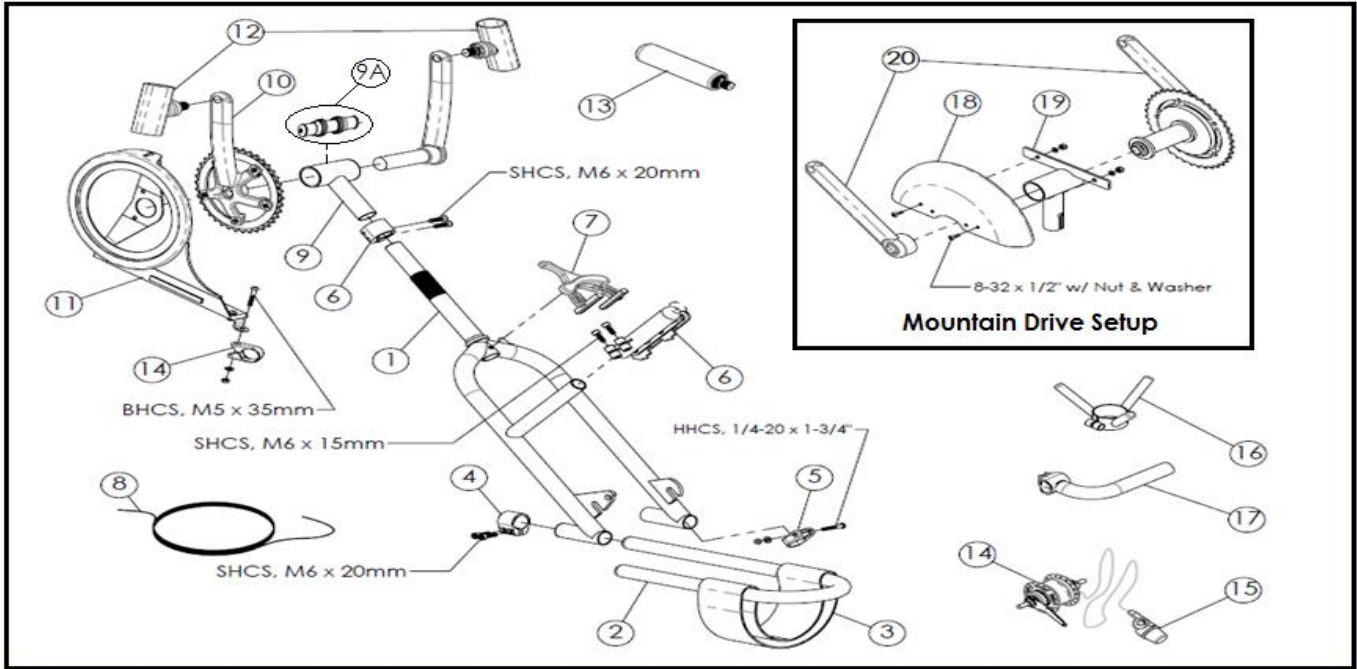


**XLT Jr**



**XLT**

	Invacare Top End Sports and Recreation Products	Parts Order Diagram:
	(800) 532-8677 (727) 522-8677 fax: (727) 522-1007	<b>XLT &amp; XLT Jr: Fork Assembly</b>
Date: _____	PO#: _____	SO#: _____
Bill To: _____	Ship To: _____	
Quote #: _____	Phone: _____	Serial #: _____



ITEM	PART NUMBER	PER BIKE	DESCRIPTION	QTY.	
1	1054197	1	Fork, XLT		EA
	1056850	1	Fork, XLT Jr		EA
2	1054195	1	Footrest, handcycle w/strap right (silver only)		EA
	1054196	1	Footrest, handcycle w/strap left (silver only)		EA
3	1060650	2	Footrest strap only		EA
4	1060797	3	Footrest clamp, 1" alloy (Includes Hardware)		EA
5	1093511	2	Clamp, 1" diameter		EA
6	1068768	1	Chain idler assembly		EA
7	1127940	1	Brake caliper for High Performance tire		EA
	1060212	1	Brake caliper for Kobby/Cruiser tire & XLT Jr		EA
8	1146014	1	Cable and housing for parking brake		EA
9	1109753	1	Crank support housing (does not including cranks or bottom bracket)		EA
9A	1068746	1	Bottom Bracket, (Bearing & Spindle)		EA
10	1056873	1	Crank set, XLT (includes crank arms and chainring) 175mm		EA
	1109737	1	Crank set, XLT Jr (includes crank arms and chainring) 155mm		EA
	1063576	1	Chain, 7 speed: <input type="checkbox"/> XLT <input type="checkbox"/> XLT Jr		EA
11	1166523	1	Chainguard: <input type="checkbox"/> XLT <input type="checkbox"/> XLT Jr		EA
12	1166211	1	Ovalized Handpedal Non-Shifting (standard on XLT): <input type="checkbox"/> Right <input type="checkbox"/> Left		EA
13	1065270	2	Horizontal handpedal (standard on XLT Jr): <input type="checkbox"/> Right <input type="checkbox"/> Left		EA
	1060670	1	Tri-pin Quad Handpedal - Right Hand		EA
	1060671	1	Tri-pin Quad Handpedal - Left Hand		EA
	1068702	1	Quad gloves, pair: <input type="checkbox"/> Small <input type="checkbox"/> Medium <input type="checkbox"/> Large <input type="checkbox"/> X-Large		EA
14	1056872	1	7 speed hub & shifter		EA
15	1060648	1	Shifter Only (Twist Shifter)		EA
16	1139822	1	Quad shifter adapter (requires quad shifter mounting bar, 1156723)		PR
	1156722	1	Standard shifter mounting		EA
17	1156723	1	Quad shifter mounting bar (longer to accommodate quad shifter adapter)		EA
18	1156773	1	Chainring guard, solid		EA
19	1109754	1	Crank support housing for Mountain Drive assembly		EA
20	1109747	1	Mountain Drive assembly with tool set (includes crank arms)		EA



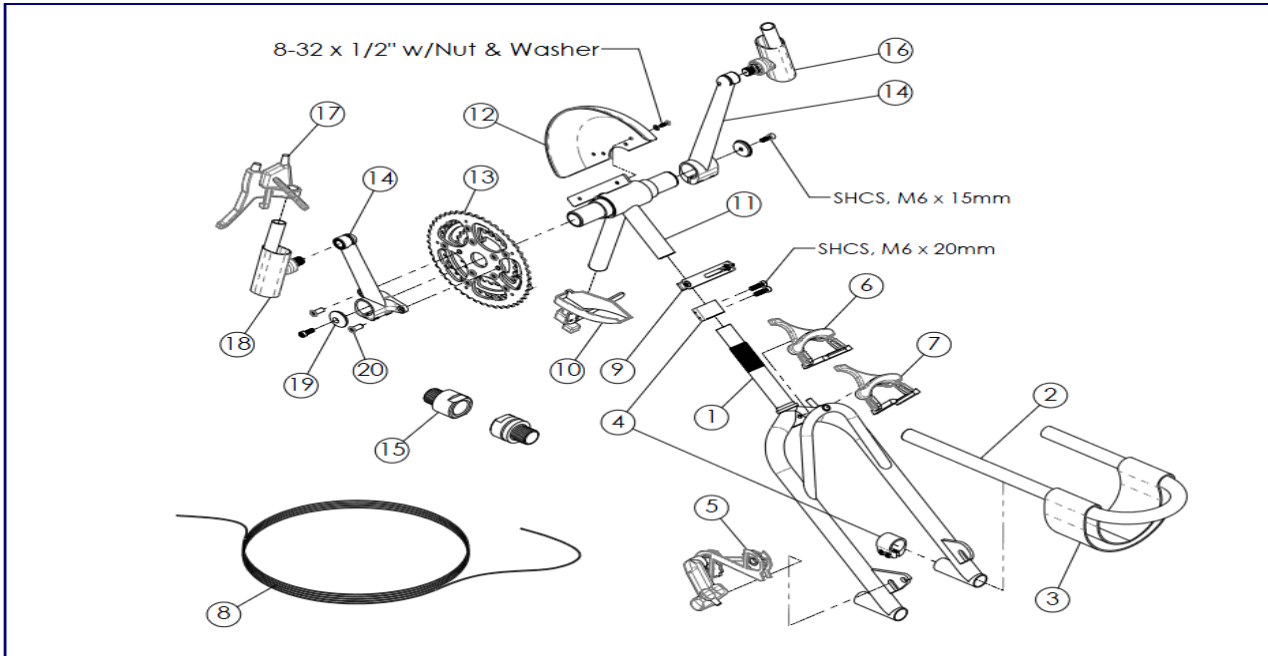
Invacare Top End Sports and Recreation Products

(800) 532-8677 (727) 522-8677 fax: (727) 522-1007

Parts Order Diagram:

**XLT Pro: Fork Assembly**

Date:	PO#:	SO#:
Bill To:	Ship To:	
Quote #:	Phone:	Serial #:



ITEM	PART NUMBER	PER BIKE	DESCRIPTION	QTY.	
1	1059456	1	Fork, XLT Pro double brake style		EA
2	1054195	1	Footrest, handcycle w/strap right (silver only)		EA
	1054196	1	Footrest, handcycle w/strap left (silver only)		EA
3	1060650	2	Footrest strap only		EA
4	1060797	1	Footrest clamp, 1" alloy		EA
5	1054246	1	Front wheel derailleur		EA
6	1127939	1	Brake caliper for High Performance tire, 27 spd (long stem)		EA
7	1127940	1	Brake caliper for High Performance tire, 27 spd (short stem)		EA
8	1146014	1	Cable and housing for parking brake		EA
9	1127879	1	Cable guide assy.		EA
10	1139745	1	Manual derailleur assembly, includes derailleur and lever		EA
11	1153035	1	Crank support assembly, includes housing, spindle and bottom bracket		EA
12	1156773	1	Chainring guard, solid		EA
13	1166338	1	Chainring assembly, 48-39-24T black (with separate spider)		EA
	1057052	1	Chain, 9 speed		EA
14	1166217	1	V-Crank arm set, 180mm X 20" (RH w/flange, LH w/o flange) (Clamp spacing is 1.5")		PR
15	1166516	1	Crank width extension set (increase overall width by 1-1/4")		PR
16	1166215	1	Handpedal: trigger shift style, medium pedal size, LEFT hand		EA
	1166211	1	Handpedal: non-shifting style (no post), medium pedal size, LEFT hand		EA
17	1127946	1	Rapidfire shifter RH (Includes: Brake Lever, Shifter, and Cable) <b>(Doesn't include item 8)</b>		EA
18	1166215	1	Handpedal: trigger shift style, medium pedal size, <b>RIGHT</b> hand		EA
19	1145951	2	Cap and screw		EA
20	1109802	2	Chainring bolt, M8x.75 x 9mm long		EA



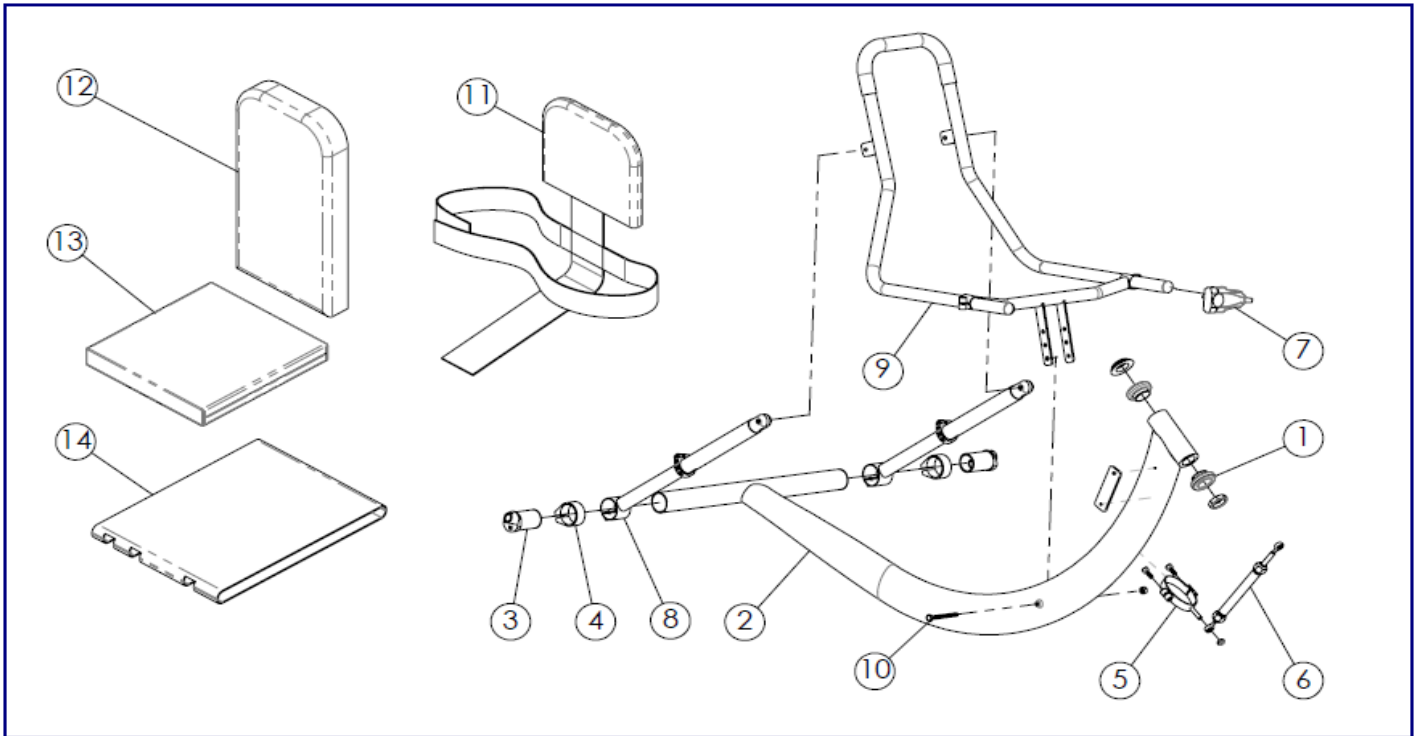
Invacare Top End Sports and Recreation Products

(800) 532-8677 (727) 522-8677 fax: (727) 522-1007


Parts Order Diagram:

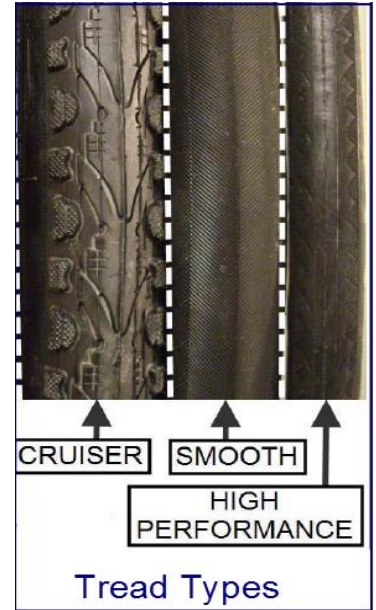
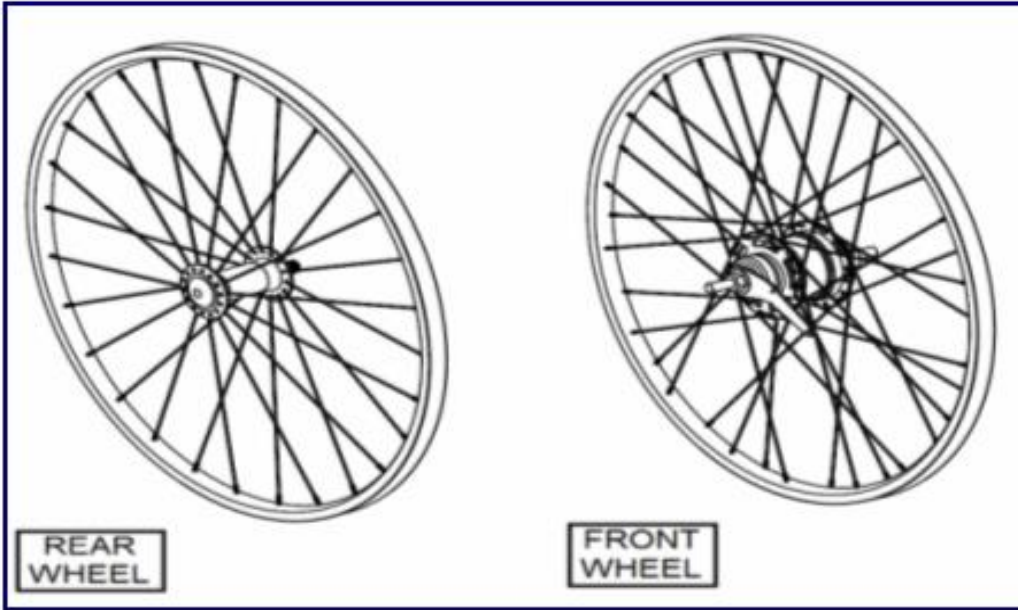
**XLT, XLT Jr., & XLT Pro: Frame Assembly**

Date:	PO#:	SO#:
Bill To:	Ship To:	
Quote #:	Phone:	Serial #:



ITEM	PART NUMBER	PER BIKE	DESCRIPTION	QTY.	
1	1056876	1	Fork headset bearing kit		EA
2	1057055	1	Frame, XLT and XLT Pro (does not include headset bearing kit or camber bushings)		EA
	1059582	1	Frame XLT Jr		EA
3	1068760	2	Camber plug, quick release, 15 degrees		EA
	1061179	2	Camber plug, threaded, 15 degrees		EA
4	1116530	2	Camber clamp and screw		EA
5	1116522	1	Compensator clamp		EA
6	1059441	1	Compensator adjustment cylinder		EA
7	1060291	1	Parking brake lever		EA
	1068761	1	Parking brake assembly (includes lever, cable, and caliper)		EA
8	1054198	2	Seat support assembly XLT & XLT Pro (includes all bolts & clamp)		EA
	1153039	2	Seat support assembly XLT Jr (includes all bolts & clamp)		EA
9	1153144	1	XLT & XLT Pro seat frame asbly- Narrow	SW: <input type="checkbox"/> 14 <input type="checkbox"/> 15 <input type="checkbox"/> 16 <input type="checkbox"/> 17 <input type="checkbox"/> 18	EA
	1153037	1	XLT & XLT Pro seat frame asbly- Wide	SW: <input type="checkbox"/> 14 <input type="checkbox"/> 15 <input type="checkbox"/> 16 <input type="checkbox"/> 17 <input type="checkbox"/> 18	EA
	1153040	1	XLT Jr seat frame assembly		EA
10	1152980	1	Seat frame mounting hardware (screw 1/4-20 x 2-1/2" HHCS and locknut)		EA
11	1060887	1	Back Upholstry <input type="checkbox"/> Narrow back	Seat Width: <input type="text"/>	EA
12	1060896	1	Back Cushion <input type="checkbox"/> Narrow Back	Seat Width: <input type="text"/>	EA
13	1054272	1	Soft Cushion: 2" high Cushion Width	Cushion depth fixed at 13"	EA
14	1127963	1	Seat upholstery, adjustable tension	Seat Width: <input type="text"/>	EA

	Invacare Top End Sports and Recreation Products	Parts Order Diagram:
	(800) 532-8677 (727) 522-8677 fax: (727) 522-1007	<b>XLT, XLT Jr., &amp; XLT Pro: Wheel Assembly</b>
Date: <input type="text"/>	PO#: <input type="text"/>	SO#: <input type="text"/>
Bill To: <input type="text"/>	Ship To: <input type="text"/>	
Quote #: <input type="text"/>	Phone: <input type="text"/>	Serial #: <input type="text"/>



ITEM	PART NUMBER	PER BIKE	DESCRIPTION	QTY.	
<b>XLT</b>					
	1060864	1	26 In. (571) High Performance <b>Front Wheel</b> (Drive), with Shimano 7 speed hub	<input type="text"/>	EA
	1059578	2	26 In. (571) High Performance <b>Rear Wheel</b> (Non-Drive), Quick Release Axle	<input type="text"/>	EA
	1060149	3	Tire 26" Hi-Performance Clincher	<input type="text"/>	EA
	1060160	3	Tube 26" (Hi-Performance), Standard Stem	<input type="text"/>	EA
<b>XLT Jr</b>					
	1060696	1	20" Cruiser <b>Front Wheel</b> with Shimano 7 speed hub (Clincher Only)	<input type="text"/>	EA
	1065289	2	20" Cruiser <b>Rear Wheel</b> (Clincher Only)	<input type="text"/>	EA
	1057762	3	Tire, 20" Smooth	<input type="text"/>	EA
	1057763	3	Tube, 20"	<input type="text"/>	EA
<b>XLT Pro</b>					
	1139801	1	26 In. (571) High Performance Front Wheel (Drive)	<input type="text"/>	EA
	1059578	2	26 In. (571) High Performance Rear Wheel (Non-Drive), Quick Release Axle	<input type="text"/>	EA
	1156711	1	SRAM Cassette, 11-34 (Standard)	<input type="text"/>	EA
	1060149	3	Tire 26" Hi-Performance Clincher	<input type="text"/>	EA
	1060160	3	Tube 26" (Hi-Performance), Standard Stem	<input type="text"/>	EA
<b>Misc</b>					
	1061213	3	Rim Strip <input type="checkbox"/> 20" <input type="checkbox"/> 26"	<input type="text"/>	EA
	1065303	2	Quick Release Axle	<input type="text"/>	EA



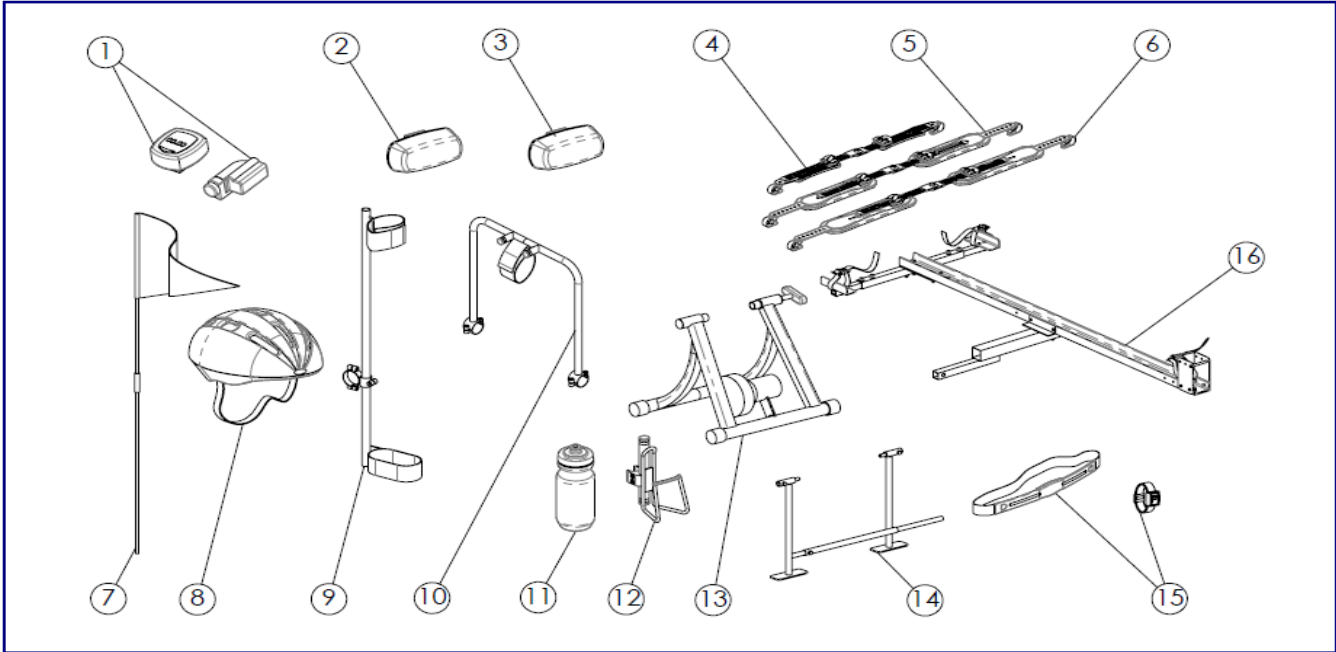
Invacare Top End Sports and Recreation Products

(800) 532-8677 (727) 522-8677 fax: (727) 522-1007

Parts Order Diagram:

**XLT, XLT Jr., & XLT Pro: Accessories**

Date:  PO#:  SO#:   
 Bill To:  Ship To:   
 Quote #:  Phone:  Serial #:



ITEM	PART NUMBER	PER BIKE	DESCRIPTION	QTY.	
1	1056875	1	Cordless computer		EA
2	1068721	1	Front safety light (clear)		EA
3	1060841	1	Rear safety light (red)		EA
4	1152963	1	Click strap set, 8" (small)		EA
5	1152964	1	Click strap set 10" (medium)		EA
6	1152965	1	Click strap set 12" (large)		EA
7	1060642	1	Safety flag		EA
	1063516	1	Safety flag with mounting hardware		EA
8	1060639	1	Helmet: <input type="checkbox"/> Small/Medium <input type="checkbox"/> Medium/Large		EA
9	1068723	1	Crutch holder, indicated bike model and serial #		EA
10	1068720	1	Tow bar for wheelchair		EA
11	1166517	1	Water bottle		EA
12	1068718	1	Water bottle, cage and mounting hardware (indicated bike model)		PR
13	1116580	1	Indoor training roller		EA
14	1109717	1	Alignment guage		EA
15	1139799	1	Heart monitor (includes chest strap and watch)		EA
16	1068771	1	Bike rack, indicate trailer hitch size: <input type="checkbox"/> 1-1/4" (Std) <input type="checkbox"/> 2"		EA
	1068722	1	Safety mirror & hardware (footrest mount)		EA
	1153045	1	Mirror, handpedal mount (must have handpedal with post)		EA
	1065268	1	Leg Guard Attachment		EA
	1060798	1	Backpack Hydration System		EA
	1166518	1	Tool and Tire Repair Kit		EA
	RACE4	1	Wheel Bag		EA
	RACE13	1	Top End Bike Jersey <input type="checkbox"/> Large <input type="checkbox"/> X-Large		EA
	RACE22	1	Top End T-Shirt <input type="checkbox"/> Large <input type="checkbox"/> X-Large		EA
	1166516	2	Crank Width Adapter Set		PR