

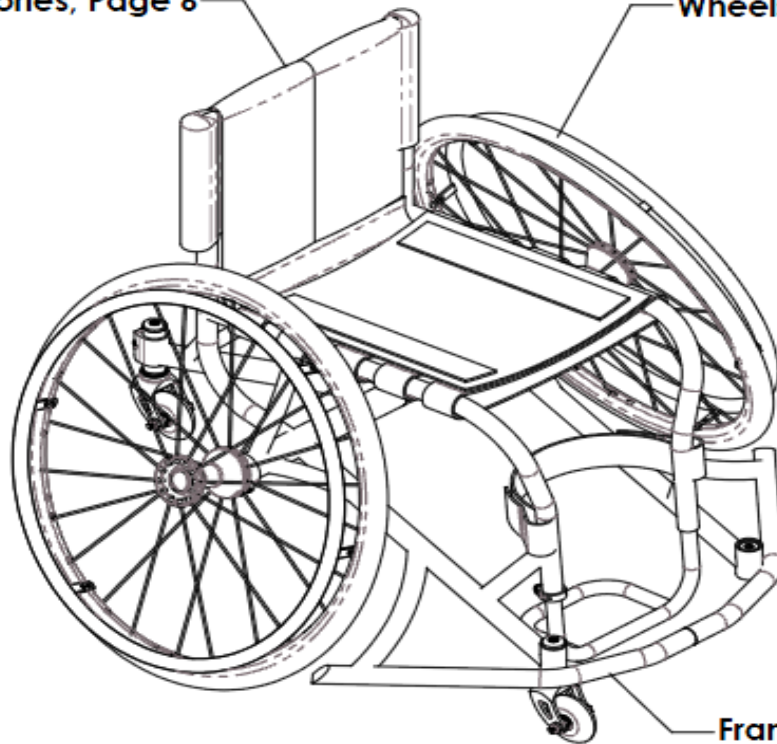


Sports and Recreation Products
4501 63rd Circle North
Pinellas Park, FL 33781
(800) 532-8677 (727) 522-8677
Fax: (727)522-1007

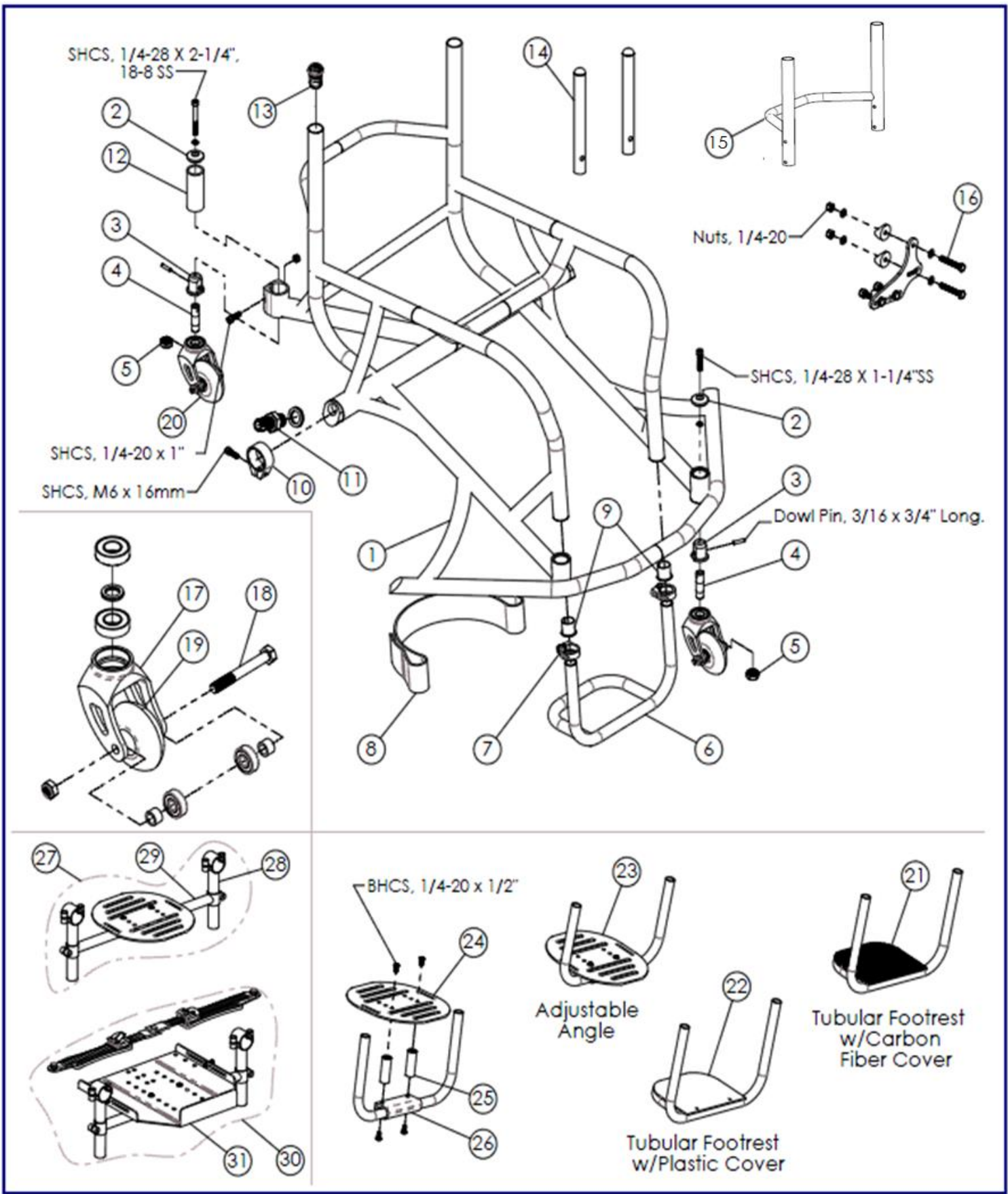
Invacare Top End Parts Catalog Top End Schulte 7000 Series BB & T-5 Tennis

Accessories, Page 6

Wheels, Page 4, 5



Frame Assy., Page 2, 3





Invacare Top End Sports and Recreation Products

(800) 532-8677 (727) 522-8677 fax: (727) 522-1007

Parts Order Diagram:

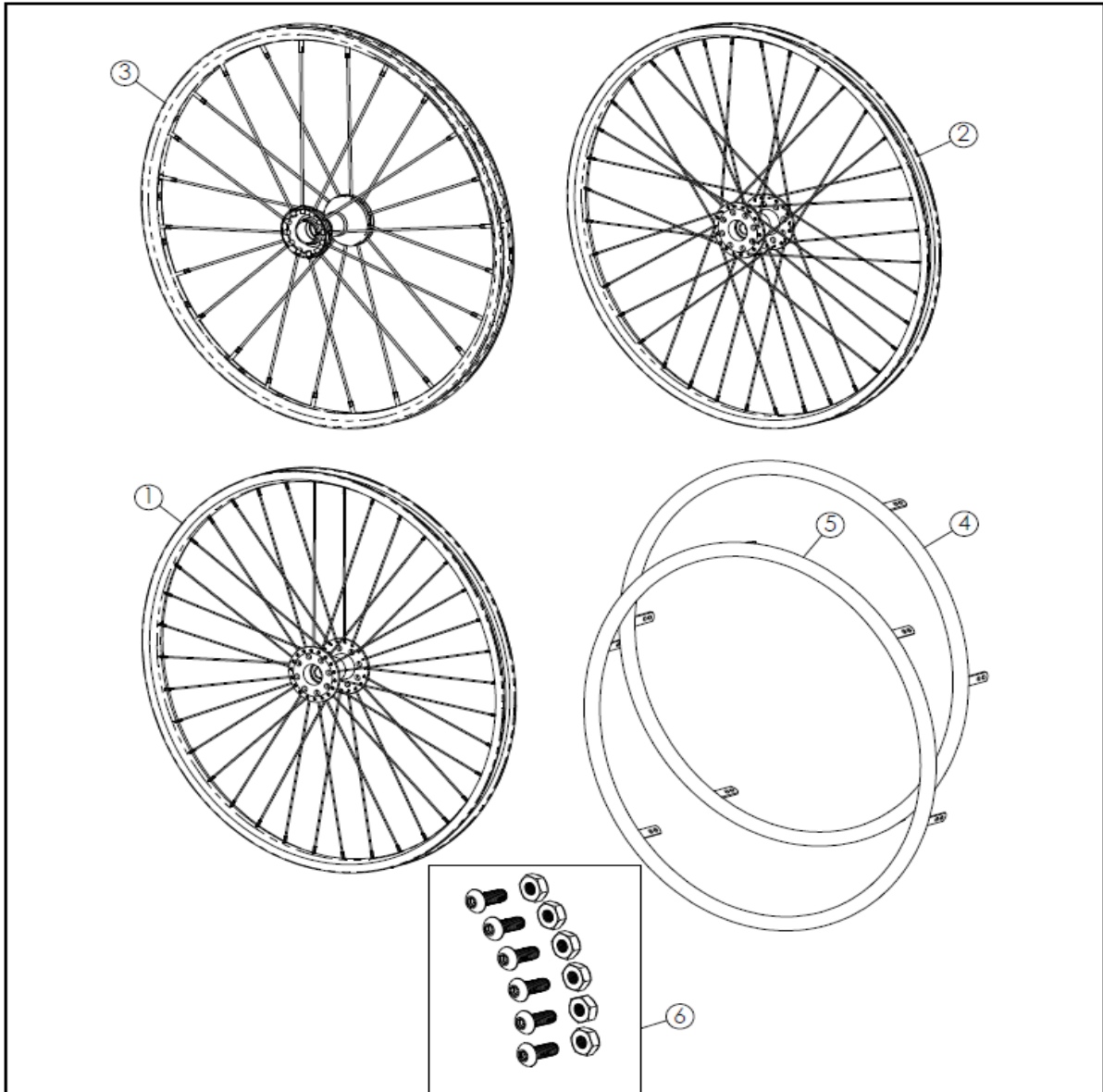
7000 Series BB/T-5: Frame Assembly

Date:	PO#:	SO#:
Bill To:	Ship To:	
Quote #:	Phone:	Serial #:

ITEM NO.	PART NUMBER	PER Chair	DESCRIPTION	ORDER QTY	
1	1166439	1	Frame: 7005 BB Aluminum, Send new complete chair order form.	Original Serial #: <input type="text"/>	EA
	1166440	1	Frame: 7005 T-5 Tennis Aluminum, Send new complete chair order form.	Original Serial #: <input type="text"/>	EA
2	1166364	3	Headtube Cap		EA
3	1166541	3	Headtube Bushing & Dowel Pin Assembly		EA
4	1166362	3	Fork Stem		EA
5	1025737	3	Nut, 1/2-20 Nylock		EA
6	1143278	1	Tubular Footrest, (1) Piece Aluminum	Footrest Width: <input type="text"/>	EA
7	1139810	2	Clamp, Tube Footrest, 1" Dia.		EA
8	1054268	1	Leg / Calf Strap <input type="checkbox"/> 8-10" (36") <input type="checkbox"/> 10.5-13" (41") <input type="checkbox"/> 13.5" + (46")	Footrest Width: <input type="text"/>	EA
9	1153067	2	Footrest Bushing		EA
10	1116530	2	Camber Clamp, Extruded (includes SHCS, M6 x 16mm)		EA
11	1166616	2	Axle Receiver, Washer & Nut Assembly		EA
12	1166383	1	Headtube, Anti-Tip		EA
13	1181184	2	Alum Dome Plug, with Rubber O-ring: <input type="checkbox"/> Fixed Back (7/8") <input type="checkbox"/> Adjustable Back (5/8")		EA
14	1026972	1	Adj. Height Back Extensions (Pair) <input type="checkbox"/> Fixed Back <input type="checkbox"/> Adjustable Back		EA
15	1153112	1	Frame Only, Lock-Down Back, Seat Width: <input type="text"/> Back Height: <input type="text"/>		EA
16	1166452	2	Backrest Bracket, Adj. Center of Gravity with Mounting Hardware Kit		EA
17	1145935	3	3" Insert Fork Assembly (includes fork and two bearings)		EA
18	1139775	3	Caster Mounting Hardware Kit		EA
19	1139783	2	3" Caster (72mm) w/ Composite Hub (Bearings Included)		EA
20	1145939	1	Anti-tip caster (59mm) w/ Composite Hub (Bearings Included)		EA
21	1145907	1	Tubular Footrest, Alum w/ Carbon Fiber Cover	Footrest Width: <input type="text"/>	EA
22	1145906	1	Tubular Footrest, Alum w/ Plastic Cover	Footrest Width: <input type="text"/>	EA
23	1145905	1	Adjustable Angle Footrest Assembly (Sport)	Footrest Width: <input type="text"/>	EA
24	1142938	1	Footplate only (7-1/2" wide)	Footrest Width: <input type="text"/>	EA
25	1116577	1	Adaptive Footplate Spacer Kit (spacers & screws): <input type="checkbox"/> 2" <input type="checkbox"/> 4" <input type="checkbox"/> 6" Risers		EA
26	1139739	1	Footrest Clamp		EA
27	1127889	1	Recessed Footrest Assembly, Platform Width: <input type="checkbox"/> 10 1/4" <input type="checkbox"/> 6"		EA
28	1166590	2	Footrest Clamp, Vertical Recessed (with 2 M6 screws)		EA
29	1166591	2	Horizontal Post Clamp, Recessed Footrest (with M6 screws)		EA
30	1156728	1	Platform Footrest Assembly includes Small Click Strap		EA
31	1153152	1	Platform Plate only (10 1/2' x 10 1/2")		EA
	1153277	2	Seat extension handle, Pro Tennis		EA
	1127929	1	Telescoping removable anti-tip (tennis chair)		EA



Sports and Recreation Products
4501 63rd Circle North
Pinellas Park, FL 33781
(800) 532-8677 (727) 522-8677
Fax: (727)522-1007





Invacare Top End Sports and Recreation Products


(800) 532-8677 (727) 522-8677 fax: (727) 522-1007

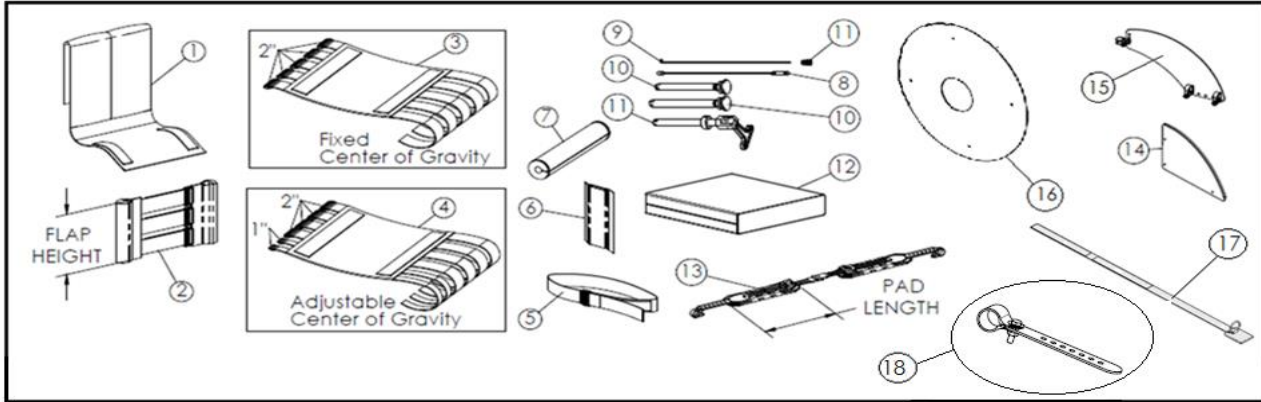
Parts Order Diagram:

7000 Series BB/T-5: Wheel Assembly

Date:	PO#:	SO#:
Bill To:	Ship To:	
Quote #:	Phone:	Serial #:

	ITEM NO.	PART NUMBER	PER CHAIR	DESCRIPTION	QTY	
WHEELS	1	1054054	2	24" (540) Performance Rear Wheel: Radial		EA
	2	1060134	2	24" (540) Performance Rear Wheel: Crossed		EA
	3	1060202	2	24" (540) Spinergy SPOX Wide Hub <input type="checkbox"/> Yellow <input type="checkbox"/> Black <input type="checkbox"/> White <input type="checkbox"/> Red <input type="checkbox"/> Blue		EA
		1156703	2	24" (540) Spinergy SLX (4mm spoke) <input type="checkbox"/> Yellow <input type="checkbox"/> Black <input type="checkbox"/> White <input type="checkbox"/> Red <input type="checkbox"/> Blue		EA
		1054055	2	25" (559) Performance Rear Wheel: Radial		EA
		1060135	2	25" (559) Performance Rear Wheel: Crossed		EA
		1060892	2	25" (559) Spinergy SPOX Wide Hub <input type="checkbox"/> Yellow <input type="checkbox"/> Black <input type="checkbox"/> White <input type="checkbox"/> Red <input type="checkbox"/> Blue		EA
		1156704	2	25" (559) Spinergy SLX (4mm spoke) <input type="checkbox"/> Yellow <input type="checkbox"/> Black <input type="checkbox"/> White <input type="checkbox"/> Red <input type="checkbox"/> Blue		EA
		1054056	2	26" (590) Performance Rear Wheel: Radial		EA
		1060136	2	26" (590) Performance Rear Wheel: Crossed		EA
		1059424	2	26" (590) Spinergy SPOX Wide Hub <input type="checkbox"/> Yellow <input type="checkbox"/> Black <input type="checkbox"/> White <input type="checkbox"/> Red <input type="checkbox"/> Blue		EA
		1156705	2	26" (590) Spinergy SLX (4mm spoke) <input type="checkbox"/> Yellow <input type="checkbox"/> Black <input type="checkbox"/> White <input type="checkbox"/> Red <input type="checkbox"/> Blue		EA
		1139780	2	27" (700c) Performance Rear Wheel: <input type="checkbox"/> Radial <input type="checkbox"/> Crossed		EA
		1116517	2	27" (700c) Spinergy SPOX Wide Hub <input type="checkbox"/> Yellow <input type="checkbox"/> Black <input type="checkbox"/> White <input type="checkbox"/> Red <input type="checkbox"/> Blue		EA
	1156716	2	27" (700c) Spinergy SLX (4mm spoke) <input type="checkbox"/> Yellow <input type="checkbox"/> Black <input type="checkbox"/> White <input type="checkbox"/> Red <input type="checkbox"/> Blue		EA	
HANDRIMS	4	1054083	2	24" Anodized Handrim		EA
	5	1060873	2	24" Titanium Handrim		EA
		1054085	2	25" Anodized Handrim		EA
		1152955	2	25" Anodized Handrim, 12-tab		EA
		1060874	2	25" Titanium Handrim		EA
		1054087	2	26" Anodized Handrim		EA
		1152956	2	26" Anodized Handrim, 12-tab		EA
		1060875	2	26" Titanium Handrim		EA
		1054089	2	700 Anodized Handrims		EA
		1152957	2	700 Anodized Handrims 12-Tab		EA
	6	1145898	2	Handrim Hardware Kit (6) 10-32 x 1/2" Screws, (6) 10-32 Locknuts		EA
TIRES AND TUBES		1054064	2	24" (540) Primo V Track High Pressure Clincher Tire		EA
		1127915	2	24" (540) Kenda Sport Tire, Clincher, Red		EA
		1127918	2	24" (540) Kenda Sport Tire, Clincher, Yellow		EA
		1060154	2	24" (540) Tube (Presta Valve)		EA
		1054067	2	25" (559) Primo V Track High Pressure Clincher Tire		EA
		1127916	2	25" (559) Kenda Sport Tire, Clincher, Red		EA
		1127919	2	25" (559) Kenda Sport Tire, Clincher, Yellow		EA
		1060155	2	25" (559) Tube (Presta Valve)		EA
		1054066	2	26" (590) Primo V Track High Pressure Clincher Tire		EA
		1127917	2	26" (590) Kenda Sport Tire, Clincher, Red		EA
		1127920	2	26" (590) Kenda Sport Tire, Clincher, Yellow		EA
		1054074	2	26" (590) Tube (Presta Valve)		EA
		1060115	2	27" (700c) Primo High Pressure Clincher Tire		EA
		1156707	2	27" (700c) Kenda Sport Tire, Clincher, Red		EA
		1156708	Mount for	27" (700c) Kenda Sport Tire, Clincher, Yellow		EA
	1054075	2	27" (700c) Tube (Presta Valve)		EA	
	1061213	2	Rim Strip <input type="checkbox"/> 24" <input type="checkbox"/> 25" <input type="checkbox"/> 26" <input type="checkbox"/> 700c		EA	
OTHER		TER40	2	Cut Tabs Aluminum pushrim		EA
		TERTi40	2	Cut Tabs Titanium pushrim		EA
			1	Assemble Wheel?: <input type="checkbox"/> Yes <input type="checkbox"/> No		EA
			1	Handrim Assembly: <input type="checkbox"/> STD Mount <input type="checkbox"/> Close Mount		EA
	7	TES1				EA

	Invacare Top End Sports and Recreation Products		Parts Order Diagram:	
	(800) 532-8677 (727) 522-8677 fax: (727) 522-1007		7000 Series BB/T-5: Accessories	
Date:	PO#:	SO#:		
Bill To:		Ship To:		
Quote #:	Phone:	Serial #:		



ITEM NO.	PART NUMBER	PER Chair	DESCRIPTION				ORDER QTY	
1	1127960	1	Back Center	Back Height:	Seat Width:		EA	
2	1153132	1	Back Anchor and Adjuster Asm	Back Height:	Seat Width:		EA	
	1181185	1	Leather Upgrade, w/Alum Dome Plug Back Style: <input type="checkbox"/> Fixed <input type="checkbox"/> Adjustable	Back Height:	Seat Width:		EA	
3	1127963	1	Seat Uph. Fixed Center of Gravity	Seat Width:	Seat Depth:		EA	
4	1153134	1	Seat Uph. Adj. Center of Gravity	Seat Width:	Seat Depth:		EA	
5	1109772	1	Positioning Strap, Velcro style, Seat Width:	<input type="checkbox"/> 12"-14" <input type="checkbox"/> 15"-18" <input type="checkbox"/> 19" +			EA	
6	1145900	1	Front Frame Vertical Protectors (pair)					PR
7	1146046	1	Sport Rear Frame Protector					EA
8	1060803	na	Spinergy Spox Spoke (3mm) w/ Nipple	Wheel Size: <input type="checkbox"/> 24" <input type="checkbox"/> 25" <input type="checkbox"/> 26" <input type="checkbox"/> 700C	Wheel Color: <input type="checkbox"/> Yellow <input type="checkbox"/> Black <input type="checkbox"/> White <input type="checkbox"/> Red <input type="checkbox"/> Blue	Hub Size <input type="checkbox"/> Wide <input type="checkbox"/> Narrow		EA
	1156712	na	Spinergy LX/SLX Spoke (4mm) w/ Nipple	Wheel Size: <input type="checkbox"/> 24" <input type="checkbox"/> 25" <input type="checkbox"/> 26" <input type="checkbox"/> 700C	Wheel Color: <input type="checkbox"/> Yellow <input type="checkbox"/> Black <input type="checkbox"/> White <input type="checkbox"/> Red <input type="checkbox"/> Blue	Hub Size <input type="checkbox"/> Wide <input type="checkbox"/> Narrow		EA
9	1059514	na	Metal Spoke w/Nipple	Wheel Size: <input type="checkbox"/> 24" <input type="checkbox"/> 25" <input type="checkbox"/> 26" <input type="checkbox"/> 700C	<input type="checkbox"/> Radial <input type="checkbox"/> Crossed			EA
10	1065303	2	Axle, Quick Release, Standard for Standard Wheel					EA
	1060140	2	Axle, Quick Release, Standard for Wide Hub Spinergy Wheel					EA
	1060842	2	Axle, Quick Release, Titanium for Standard Wheel					EA
	1060843	2	Axle, Quick Release, Titanium for Wide Hub Spinergy Wheel					EA
11	1043487	2	Axle, Quad Release, Standard					EA
12	1054272	1	Soft Cushion	<input type="checkbox"/> 2 in. <input type="checkbox"/> 3 in. <input type="checkbox"/> 4 in.	Seat Width:	Seat Depth:		EA
	1060130	1	Hard Cushion	<input type="checkbox"/> 2 in. <input type="checkbox"/> 3 in. <input type="checkbox"/> 4 in.	Seat Width:	Seat Depth:		EA
13	1152963	1	Click Strap Set, 8" Pad Length (Small)					EA
	1152964	1	Click Strap Set, 10" Pad Length (Medium)					EA
	1152965	1	Click Strap Set, 12" Pad Length (Large)					EA
14	1059414	1	Fixed Side Guards, Aluminum (RH & LH, Outline Required)					PR
	1139771	1	Fixed Side Guards, Carbon Fiber (RH & LH, Outline Required)					PR
15	1153020	2	Clamp-On Side Guard, includes: (1) panel, (3) clamps w/ hardware					EA
16	1054079	2	24" Spoke Guard, Specify Clear or Black	<input type="checkbox"/> Clear <input type="checkbox"/> Black			EA	
	1060699	2	25" Spoke Guard, Specify Clear or Black	<input type="checkbox"/> Clear <input type="checkbox"/> Black			EA	
	1054081	2	26" Spoke Guard, Specify Clear or Black	<input type="checkbox"/> Clear <input type="checkbox"/> Black			EA	
17	1166701	1	Metal O-Ring Belt					EA
18	1166622	2	Webbing Mount for Click Strap					EA
	1065327	NA	Top End Wheel Bag					EA