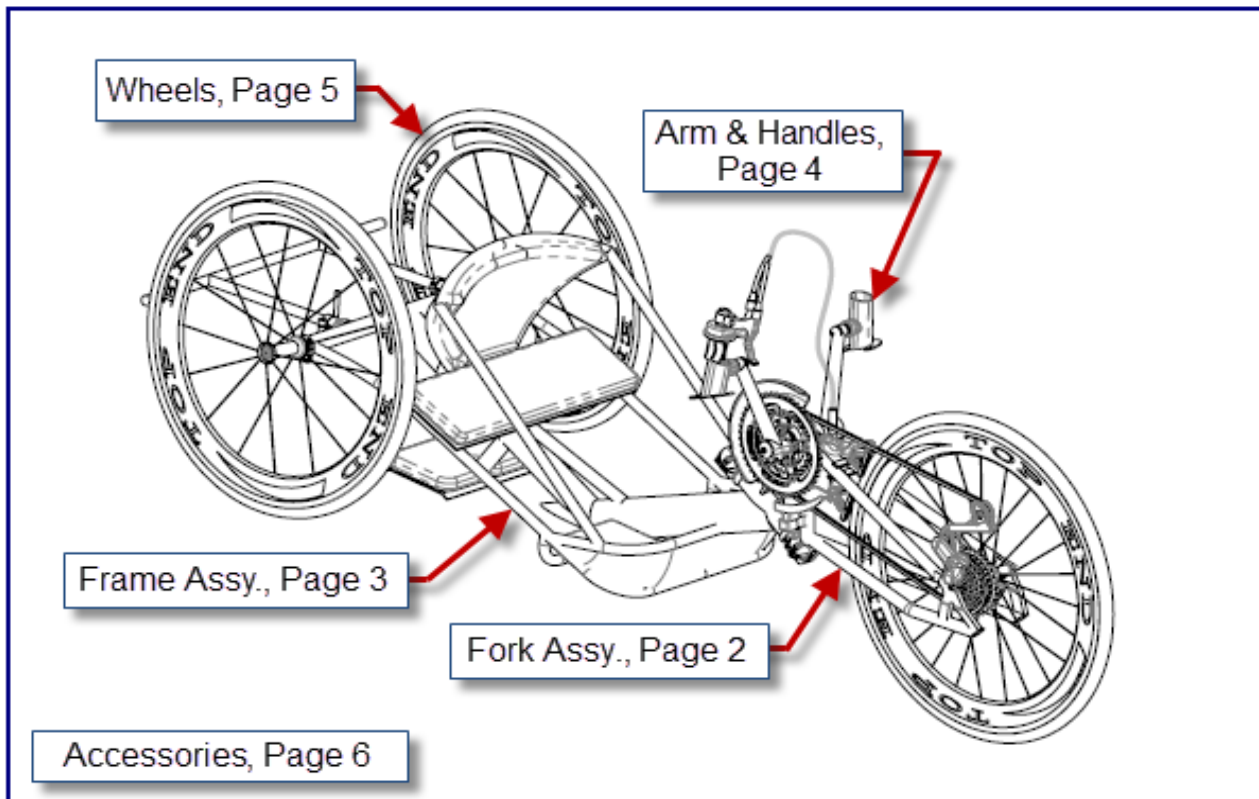




Sports and Recreation Products  
4501 63rd Circle North  
Pinellas Park, FL 33781  
(800) 532-8677 (727) 522-8677  
Fax: (727) 522-1007  
www.topendwheelchair.com

## Invacare Top End Parts Catalog Force K





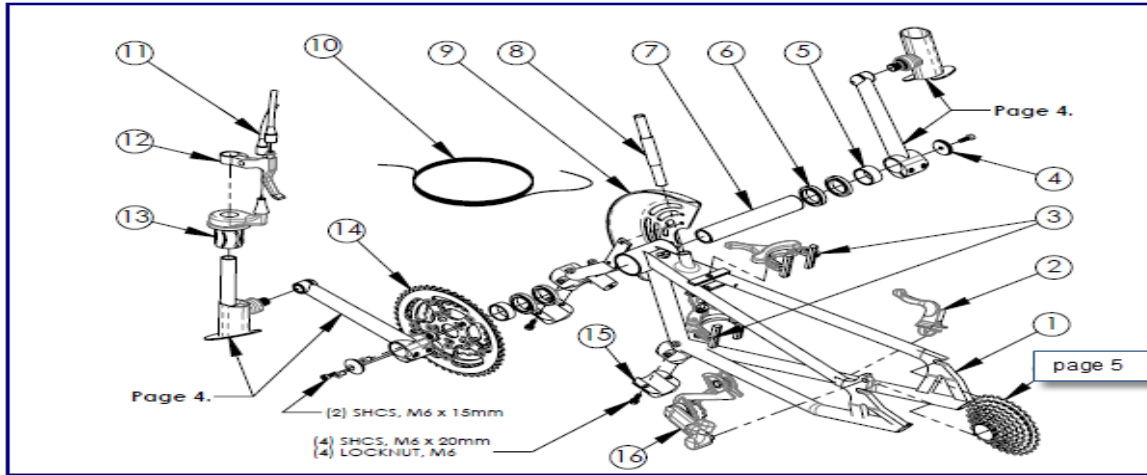
Invacare Top End Sports and Recreation Products

(800) 532-8677 (727) 522-8677 fax: (727) 522-1007

Parts Order Diagram:

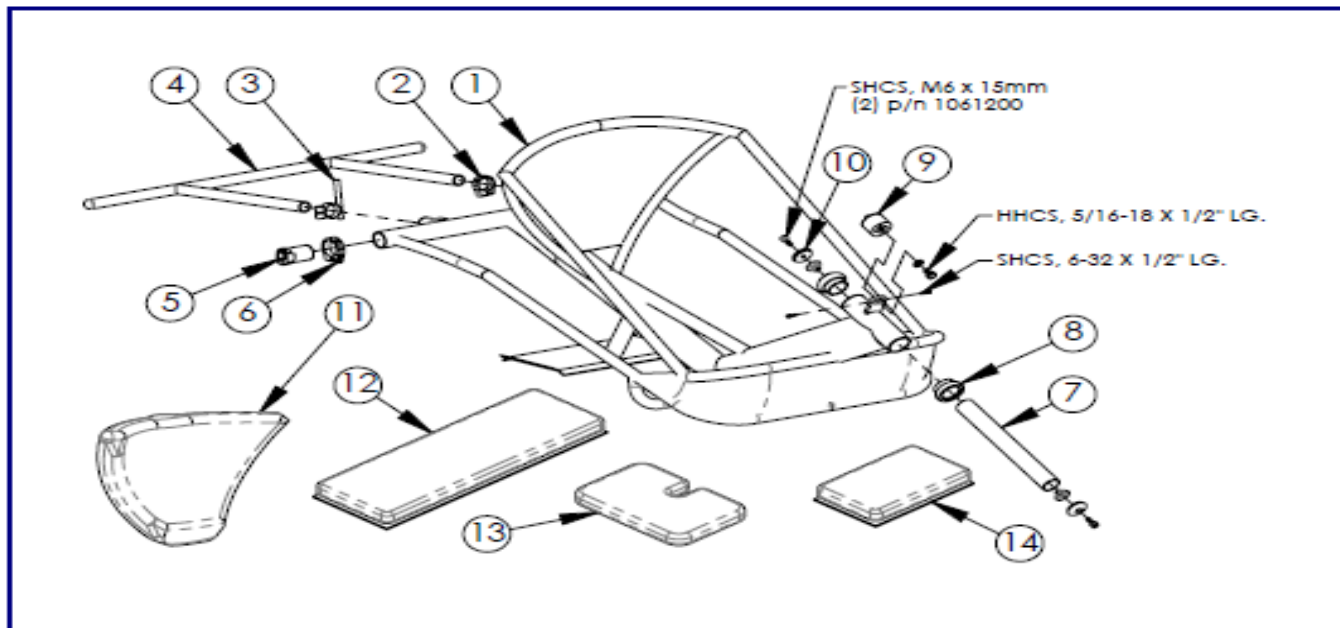
**Force K: Fork Assembly**

Date:	PO#:	SO#:
Bill To:	Ship To:	
Quote #:	Phone:	Serial #:



ITEM	PART NUMBER	PER BIKE	DESCRIPTION	QTY.	
1	1166436	1	Fork, Force K (incl: fork, 2 clamps, 4 bolts, 4 nuts) <b>-Serial Required-</b> <input type="checkbox"/> Aero <input type="checkbox"/> Wide Style Color <input type="text"/>		EA
2	1060209	1	Brake Handle		EA
3	1127940	2	Brake Caliper for High Performance Tire, Cane Creek SCR-3		EA
	1156686	2	Brake Caliper, Cane Creek SL with Titanium Hardware		EA
	1166463	2	Replacement Brake Pads for Standard Metal Rim Wheel		PR
	1139823	2	Replacement Brake Pads for Caron Fiber Rim Wheel		PR
	1156720	1	Disc Brake Caliper		EA
	1156768	1	Disc Brake Rotor for Standard Wheel Only		EA
	1166232	1	Disc Brake Rotor for Corima Wheel Only		EA
	1156769	1	Disc Brake Replacement Pads		PR
4	1145951	2	Cap, Spindle (With SHCS, M6 x 15mm)		EA
5	1166514	2	Crank Spacer Assy., (Includes 2 Spacers) <input type="checkbox"/> Cable Driven Derailleur (std) <input type="checkbox"/> Manual Derailleur		PR
6	1127921	4	Bearing, Bottom Bracket 30mm x 42 x 7		EA
7	1153311	1	Bottom Bracket Spindle Assy. (includes spindle, 2 star nuts) <input type="checkbox"/> 6-3/4" <input type="checkbox"/> 7-1/4" <input type="checkbox"/> Other		EA
8	1166515	1	Cable Guide, Rubber Tube		EA
9	1156774	1	Chainring Guard, Slotted		EA
10	1146014	1	Cable and Housing, for Parking Brake		EA
	1146015	1	Cable and Housing, for Hand Brake		EA
	1146016	1	Cable and Housing for Shifter (indicate shifter type)		EA
11	1166543	2	Cable Spring <input type="checkbox"/> for Rapidfire Shifter, Trigger Shifter or Brake Lever <input type="checkbox"/> For Grip Shifter		EA
12	1166474	1	Brake lever		EA
13	1156682	1	SRAM X.O Grip/twist shifter, 10 Speed (compatible only with SRAM Front Wheel Derailleur)		EA
	1156683	1	SRAM X.O Trigger shifter, 10 Speed (compatible only with SRAM Front Wheel Derailleur)		EA
	1166503	1	SRAM Shifter XX 10 Speed, (Mounting Clamp not Included)		EA
	1166333	1	Mounting Clamp, (for SRAM Shifter XX 10 Speed)		EA
14	1166338	1	Chainring Ring Asm, 48-39-24, Black (Separate Spider)		EA
	1166339	1	Chainring Ring Asm, 53-39-28, Black (Separate Spider)		EA
	1166510	1	Q-ring 39T Chainring, 5x130 mm, Rotor Ring		EA
	1166511	1	Q-ring 53T Chainring, 5x130 mm, Rotor Ring		EA
	1156685	1	Chain, Hollow Pin, (includes 2 packages) 9 Speed		EA
15	1153164	2	Fork Clamp, bottom Half <b>Color</b> <input type="text"/>		EA
16	1166332	1	SRAM XX 10 Speed Front Derailleur		EA
	1156681	1	SRAM XO 9 Speed Front Derailleur		EA
17	TES1				EA


	Invacare Top End Sports and Recreation Products	Parts Order Diagram:
	(800) 532-8677 (727) 522-8677 fax: (727) 522-1007	<b>Force K: Frame Assembly</b>
Date: <input type="text"/>	PO#: <input type="text"/>	SO#: <input type="text"/>
Bill To: <input type="text"/>	Ship To: <input type="text"/>	
Quote #: <input type="text"/>	Phone: <input type="text"/>	Serial #: <input type="text"/>

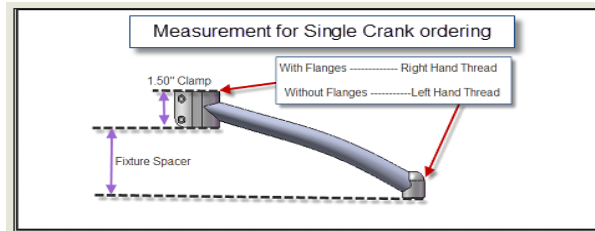
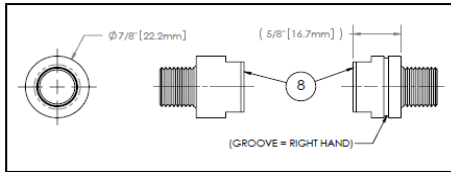
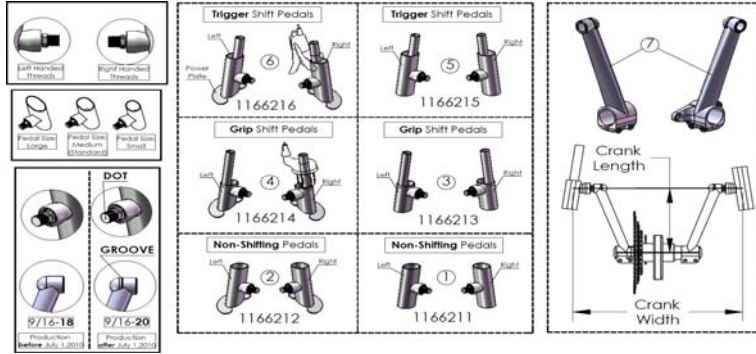


**Notes:**

1. Kneeler Frame Weldment: Complete page 1, 2, 08-037-K1 and 08-037-K2.
2. Double Amp Kneeler Frame Weldment: Complete page 1, 2, 08-037-DA1 and 08-037-DA2.
3. Serial # and Color Required when ordering duplicate frame.

ITEM	PART NUMBER	PER BIKE	DESCRIPTION	QTY.	
1	1166435	1	Frame, Force K <input type="text"/> Serial # Required: <input type="text"/> Color: <input type="text"/> (see notes)	<input type="text"/>	EA
2	1139810	1	Clamp, 1" Alloy, single screw	<input type="text"/>	EA
3	1156741	1	Safety flag holder	<input type="text"/>	EA
4	1146002	1	Drafting Bumper (includes 2 plugs)	<input type="text"/>	EA
	1139803	2	Plug, 3/4" Black Dome	<input type="text"/>	EA
5	1166228	2	Camber Insert, Threaded Axle: <input type="checkbox"/> 0 deg <input type="checkbox"/> 3 deg <input type="checkbox"/> 6 deg	<input type="text"/>	EA
6	1166473	2	Clamp, Cambertube (Size: <input type="checkbox"/> 1-1/2" <input type="checkbox"/> 1-1/4" )	<input type="text"/>	EA
7	1166512	1	Headset, Shaft Assembly (10-3/8" Long) Include 2 Star Nut.	<input type="text"/>	EA
8	1166475	1	Headset, 1-1/8" dia. (Press Fit with item #1166435 Frame)	<input type="text"/>	EA
9	1166430	1	Standard Thread Steering Dampner with hardware	<input type="text"/>	EA
	1127935	1	Metric Thread Steering Dampner (Required on forks with <b>groove</b> on Dampner mount)	<input type="text"/>	EA
10	1145951	2	Cap, with Screw M6 x 15 mm	<input type="text"/>	EA
11	1166431	1	Back Cushion, Black Mesh	<input type="text"/>	EA
			Required Drawing or Sketch	<input type="text"/>	
12	1166432	1	Seat Cusion, Black Mesh	<input type="text"/>	EA
			Required Drawing or Sketch	<input type="text"/>	
13	1166433	2	Knee PadCusion, Black Mesh	<input type="text"/>	EA
			Required Drawing or Sketch	<input type="text"/>	
14	1166434	1	Legs PadCusion, Black Mesh	<input type="text"/>	EA
			Required Drawing or Sketch	<input type="text"/>	
15	TES1			<input type="text"/>	EA

	Invacare Top End Sports and Recreation Products	Parts Order Diagram:	
	(800) 532-8677 (727) 522-8677 fax: (727) 522-1007	<b>Force K: Pedals and Arms</b>	
Date:	PO#:	SO#:	
Bill To:		Ship To:	
Quote #:	Phone:	Serial #:	



ITEM	PART NUMBER	PER BIKE	Pedals and Cranks <i>after</i> July 19, 2010					QTY.
Produced <i>after</i> July 19,2010 (Dot? YES)			Pedal Size	Bike Serial #	R or L	Dot?		
1	1166211	1	Handpedal, <b>Non-Shifting</b> <input type="checkbox"/> Lg <input type="checkbox"/> Med <input type="checkbox"/> Small		<input type="checkbox"/> R <input type="checkbox"/> L	Yes	EA	
2	1166212	1	Handpedal w/ Power Plate, <b>Non-Shifting</b> <input type="checkbox"/> Lg <input type="checkbox"/> Med <input type="checkbox"/> Small		<input type="checkbox"/> R <input type="checkbox"/> L	Yes	EA	
3	1166213	1	Handpedal, <b>Grip Shift</b> <input type="checkbox"/> Lg <input type="checkbox"/> Med <input type="checkbox"/> Small		<input type="checkbox"/> R <input type="checkbox"/> L	Yes	EA	
4	1166214	1	Handpedal w/ Power Plate, <b>Grip Shifting</b> <input type="checkbox"/> Lg <input type="checkbox"/> Med <input type="checkbox"/> Small		<input type="checkbox"/> R <input type="checkbox"/> L	Yes	EA	
5	1166215	1	Handpedal, <b>Trigger Shift</b> <input type="checkbox"/> Lg <input type="checkbox"/> Med <input type="checkbox"/> Small		<input type="checkbox"/> R <input type="checkbox"/> L	Yes	EA	
6	1166216	1	Handpedal w/ Power Plate, <b>Trigger Shift</b> <input type="checkbox"/> Lg <input type="checkbox"/> Med <input type="checkbox"/> Small		<input type="checkbox"/> R <input type="checkbox"/> L	Yes	EA	

Produced <i>after</i> July 19,2010 (Groove? YES)			Bike Serial #	Crank Length (mm)	Crank Width (in)	Groove?		
7	1166217	1	Crank Arm Set	<input type="checkbox"/> 200 <input type="checkbox"/> 205 <input type="checkbox"/> 210 <input type="checkbox"/> 215 <input type="checkbox"/> 220 <input type="checkbox"/> 225 <input type="checkbox"/> 230 <input type="checkbox"/> 235 <input type="checkbox"/> 240 <input type="checkbox"/> 245 <input type="checkbox"/> 250	<input type="checkbox"/> 16 <input type="checkbox"/> 17 <input type="checkbox"/> 18 <input type="checkbox"/> 19 <input type="checkbox"/> 20 <input type="checkbox"/> 21 <input type="checkbox"/> 22	Yes	PR	
8	1166516	1	Crank Width Extension Set, Adapter (Increase Overall Width by 1-1/4")					PR

ITEM	PART NUMBER	PER BIKE	Pedals and Cranks <i>before</i> July 19, 2010					QTY.
Produced <i>before</i> July 19,2010 (Dot? NO)			Pedal Size	Bike Serial #	Shift-Type	R or L	Dot?	
	1153043	1	Handpedal w/ post <input type="checkbox"/> Lg <input type="checkbox"/> Med <input type="checkbox"/> Small		<input type="checkbox"/> Grip <input type="checkbox"/> Trigger	<input type="checkbox"/> R <input type="checkbox"/> L	No	EA
	1153044	1	Handpedal <input type="checkbox"/> Lg <input type="checkbox"/> Med <input type="checkbox"/> Small		XXXXXXXXXXXXXX	<input type="checkbox"/> R <input type="checkbox"/> L	No	EA
	1153105	1	Handpedal w/ Power Plate, Shifter Post <input type="checkbox"/> Lg <input type="checkbox"/> Med <input type="checkbox"/> Small		<input type="checkbox"/> Grip <input type="checkbox"/> Trigger	<input type="checkbox"/> R <input type="checkbox"/> L	No	EA
	1153106	1	Handpedal w/ Power Plate <input type="checkbox"/> Lg <input type="checkbox"/> Med <input type="checkbox"/> Small		XXXXXXXXXXXXXX	<input type="checkbox"/> R <input type="checkbox"/> L	No	EA

Produced <i>before</i> July 19,2010 (Groove? NO)			Bike Serial #	Crank Length (mm)	Crank Width (in)	Groove?	
9	TES1	1	Crank Arm Set	<input type="checkbox"/> 200 <input type="checkbox"/> 205 <input type="checkbox"/> 210 <input type="checkbox"/> 215 <input type="checkbox"/> 220 <input type="checkbox"/> 225 <input type="checkbox"/> 230 <input type="checkbox"/> 235 <input type="checkbox"/> 240 <input type="checkbox"/> 245 <input type="checkbox"/> 250	<input type="checkbox"/> 16 <input type="checkbox"/> 17 <input type="checkbox"/> 18 <input type="checkbox"/> 19 <input type="checkbox"/> 20 <input type="checkbox"/> 21 <input type="checkbox"/> 22	Yes	PR
							EA



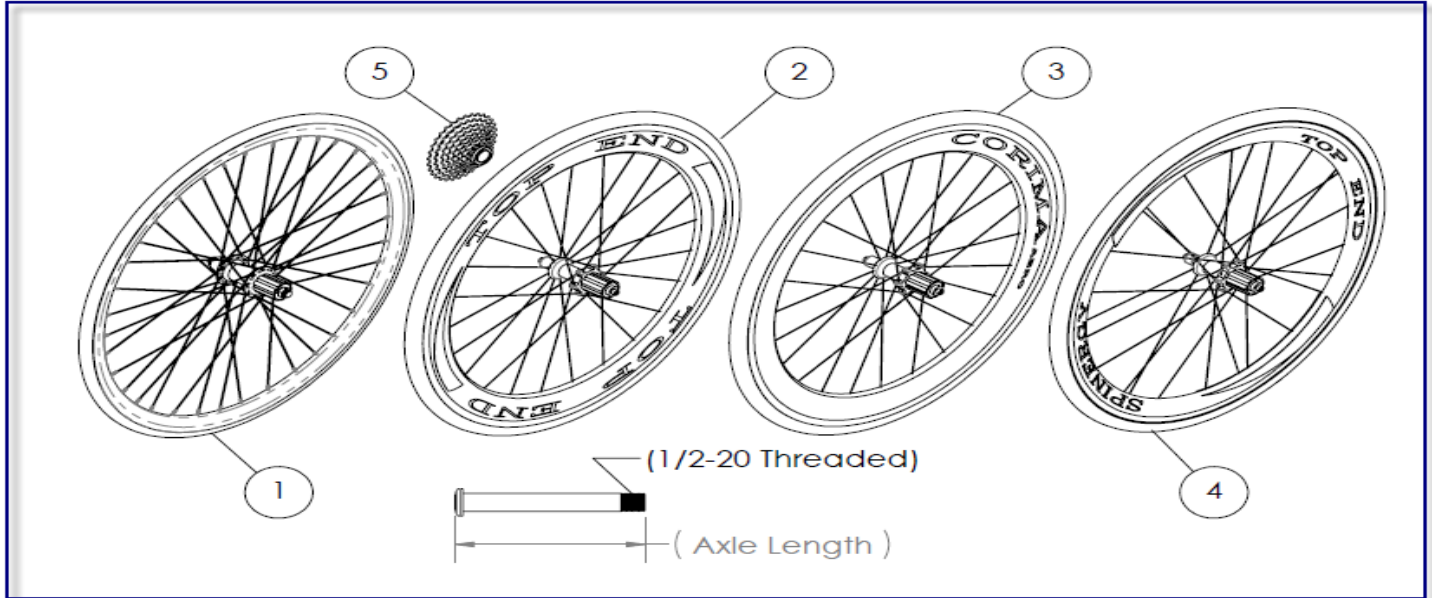
Invacare Top End Sports and Recreation Products

(800) 532-8677 (727) 522-8677 fax: (727) 522-1007

Parts Order Diagram:

**Force K: Wheels**

Date:	PO#:	SO#:
Bill To:	Ship To:	
Quote #:	Phone:	Serial #:



ITEM	PART NUMBER	PER BIKE	DESCRIPTION	QTY.	
1	1156776	1	26 In. (571) High Performance Front Wheel (Drive), (Clincher Only) Alex Black Spoke		EA
	1156736	1	26 In. (571) High Performance Front Wheel (Drive), (Clincher Only) Alex Black Spoke, Disk Brake Compatible		EA
	1156778	2	26 In. (571) High Performance Rear Wheel (Non-Drive), (Clincher Only) Alex Black Spoke (Axle not Included)		EA
	1166462	2	Threaded Axle, Standard Non-Drive (3 1/4") Alex		EA
2	1166260	1	26 In. (571) Top End Carbon Fiber Front Wheel (Drive), Tubular		EA
	1166261	2	26 In. (571) Top End Carbon Fiber Rear Wheel (Non-Drive), Tubular (Axle not Included)		EA
	1166246	2	Threaded Axle, Carbon Fiber Non-Drive (3 3/4")		EA
	RACE66	2	26 In. (571) Zipp Carbon Fiber Disc Rear Wheel (Tubular), w/built in Axle.		EA
3	1156724	1	26 In. (571) Corima AERO, Front wheel assembly, (Tubular Only)		EA
	1156771	1	26 In. (571) Corima AERO Front wheel assembly, Disc brake Compatible (Tubular Only)		EA
	1156725	2	26 In. (571) Corima AERO w/threaded axle, Rear wheel assembly, (Tubular Only) Built in Axle		EA
4	1166385	1	26 In. (571) Spinergy Front Wheel (Drive), (Clincher only)		EA
	1166386	2	26 In. (571) Spinergy Rear Wheel (Non-Drive) with Threaded Axle (Clincher only)		EA
5	1156688	1	SRAM Cassette, 11-23, 9 Speed		EA
	1156689	1	SRAM Cassette, 11-26, 9 Speed		EA
	1156711	1	SRAM Cassette, 11-34, 9 Speed (Standard)		EA
	1166505	1	SRAM Cassette, 11-28, 10 Speed		EA
	1166331	1	SRAM Cassette, 11-36, 10 Speed (Standard)		EA
	1060149	3	Tire 26" Hi-Performance Clincher (Standard)		EA
	1156680	3	Tire, 26" Continental Grand Prix 4000 clincher		EA
	1060160	3	Tube 26" (Hi-Performance), Standard Stem		EA
	1139820	3	Tube 26" (Hi-Performance), Long Stem (Spinergy)		EA
	1061213	3	26 In. Rim Strip		EA
	RACE36	3	Tire, Tubular Tufo S3 Lite		EA
	RACE31	3	Tire, Tubular Tufo Jet Special (Standard)		EA
	1166472	3	Tire, 26" Continental Sprinter, Tubular		EA
6	TES1				EA