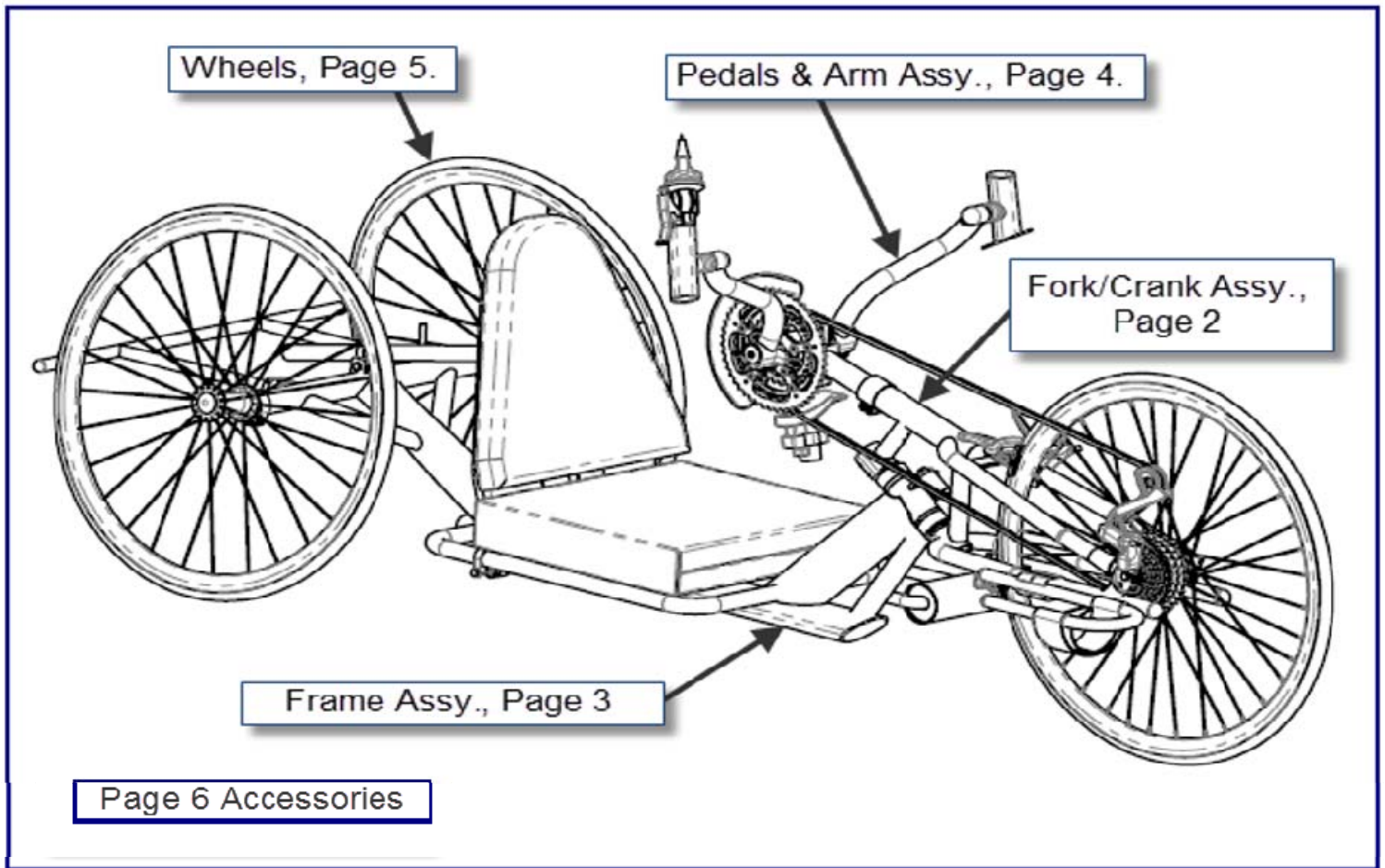


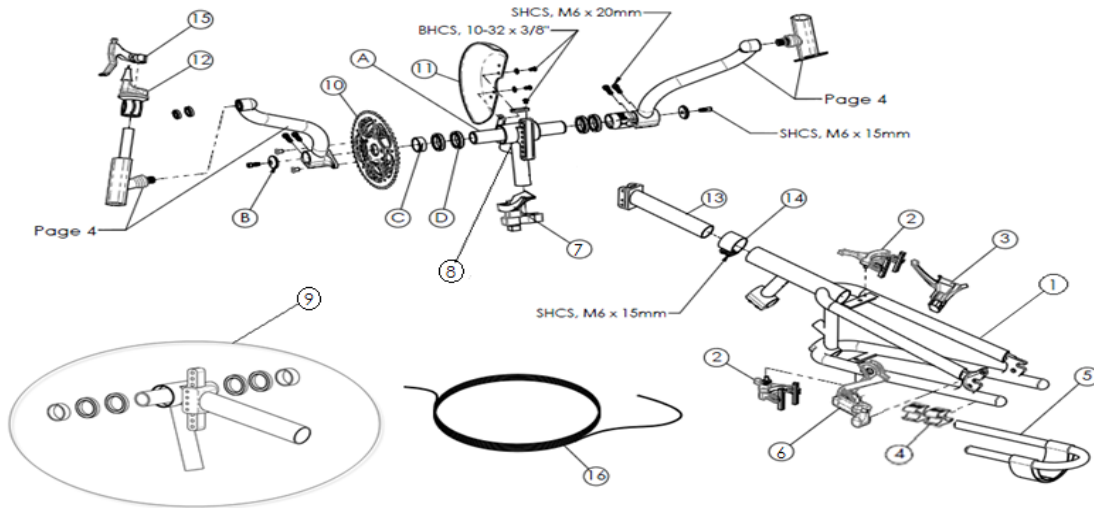


Sports and Recreation Products  
4501 63rd Circle North  
Pinellas Park, FL 33781  
(800) 532-8677 (727) 522-8677  
Fax: (727) 522-1007  
www.topendwheelchair.com

## Invacare Top End Parts Catalog Force G

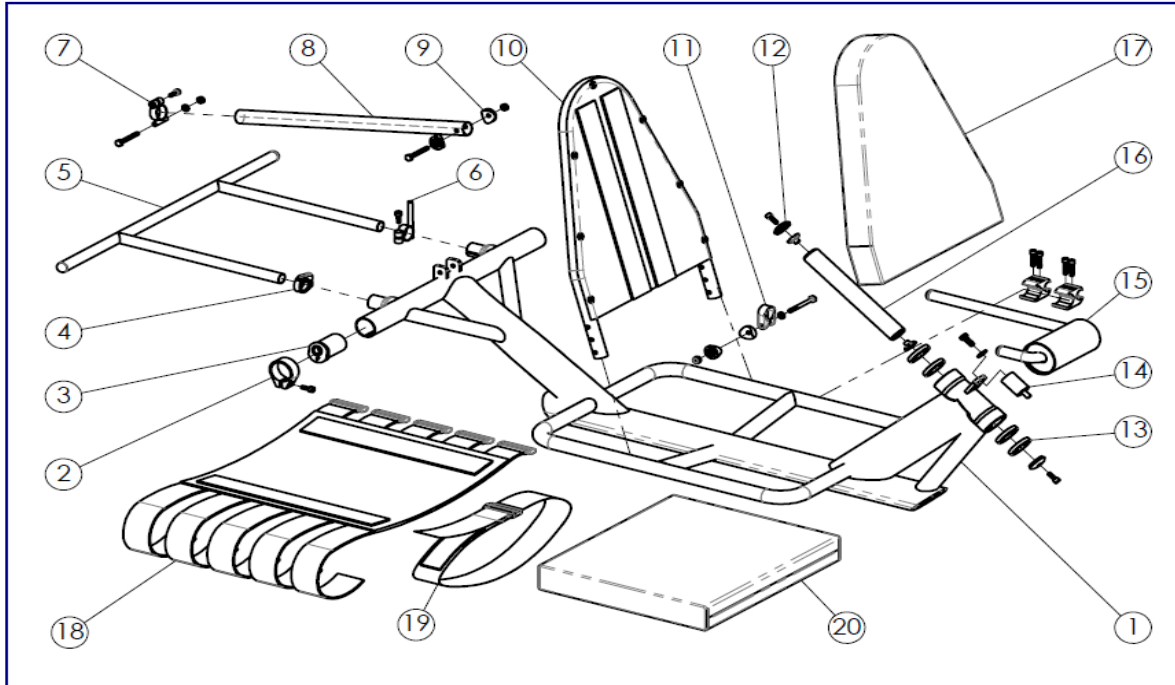


|   |   |                               |  |
|---|---|-------------------------------|--|
|  | Invacare Top End Sports and Recreation Products   | Parts Order Diagram:          |  |
|   | (800) 532-8677 (727) 522-8677 fax: (727) 522-1007 | <b>Force G: Fork Assembly</b> |  |
| Date: _____   | PO#: _____  | SO#: _____                    |  |
| Bill To: _____  | Ship To: _____                                    |                               |  |
| Quote #: _____  | Phone: _____                                      | Serial #: _____               |  |



| ITEM | PART NUMBER | PER BIKE | DESCRIPTION  | QTY. |    |
|------|-------------|----------|--|------|----|
| 1    | 1166257     | 1        | Fork, Force G (incl: fork, 4 bolts) <b>-Serial# Required-</b> _____ <b>Color</b> _____   |      | EA |
| 2    | 1127940     | 2        | Brake Caliper for High Performance Tire, 27 Speed  |      | EA |
|      | 1166337     | 1        | "Torq" Road Brake Caliper  |      | EA |
|      | 1166463     | 2        | Replacement Brake Pads for Standard Metal Rim Wheel  |      | PR |
|      | 1139823     | 2        | Replacement Brake Pads for Carbon Fiber Rim Wheels   |      | PR |
|      | 1156720     | 1        | Disc Brake Caliper   |      | EA |
|      | 1156768     | 1        | Disc Brake Rotor for Standard Wheel Only   |      | EA |
|      | 1166232     | 1        | Disc Brake Rotor for Corima Wheel Only   |      | EA |
|      | 1156769     | 2        | Replacement Pads for Disc Brake  |      | PR |
| 3    | 1060291     | 1        | Parking Brake Lever  |      | EA |
| 4    | 1116531     | 4        | 1" to 3/4" - Clamp for Footrest  |      | EA |
| 5    | 1153042     | 2        | Handcycle Leg Support (3/4") w/ Strap <input type="checkbox"/> Left <input type="checkbox"/> Right (Include: Strap, p/n 1060650)   |      | EA |
|      | 1060650     | 2        | Strap for Leg Support ( <b>does not include leg support or clamps</b> )  |      | EA |
| 6    | 1054246     | 1        | Shimano XT Derailleur  |      | EA |
|      | 1156681     | 1        | Sram X.O Derailleur  |      | EA |
| 7    | 1139745     | 1        | Manual Chain Ring Derailleur Assembly (incl: derailleur, lever, and hardware)  |      | EA |
| 8    | 1153310     | 1        | Crank Assembly Vertical Adjustment with bearings, spindle, and end caps ( <b>does not include #13</b> ) <input type="checkbox"/> Manual Derailleur <input type="checkbox"/> Cable Driven |      | EA |
| 9    | 1153055     | 1        | Crank Assembly Vertical & Diagonal Adjustment with bearings, spindle, and end caps <input type="checkbox"/> Manual Derailleur <input type="checkbox"/> Cable Driven                      |      | EA |
| A    | 1153311     | 1        | Spindle, Bottom Bracket, Spindle Length: <input type="checkbox"/> 6" <input type="checkbox"/> 7"   |      | EA |
| B    | 1145951     | 2        | Cap for Spindle (With SHCS, M6 x 16mm)   |      | EA |
| C    | 1180993     | 2        | Crank Spacer Replacement   |      | EA |
| D    | 1127921     | 4        | Bearing, Bottom Bracket 30mm x 42 x 7  |      | EA |
| 10   | 1166338     | 1        | Chainring Asm, 48-39-24  |      | EA |
|      | 1139806     | 1        | Chainring Asm, 53-39-28  |      | EA |
|      | 1057052     | 1        | Standard Chain, (Ref. to Chainring Assy.)  |      | EA |
|      | 1156685     | 1        | Chain, Hollow Pin, 77" (std length)  |      | EA |
| 11   | 1156773     | 1        | Chainring Guard, Solid   |      | EA |
| 12   | 1127946     | 1        | RapidFire Shifter/Brake Lever RH, 27 speed   |      | EA |
|      | 1156682     | 1        | SRAM X.O Grip/twist shifter (compatible only with SRAM Front Wheel Derailer)   |      | EA |
|      | 1156683     | 1        | SRAM X.O Trigger shifter (compatible only with SRAM Front Wheel Derailer)  |      | EA |
| 13   | 1153228     | 1        | Diagonal Adjustment tube for crank assembly  |      | EA |
| 14   | 1166489     | 1        | 1-3/8" Clamp ( <b>used for diagonal crank adjustment</b> )   |      | EA |
| 15   | 1166474     | 1        | Brake lever for SRAM shifter   |      | EA |
| 16   | 1146014     | 1        | Cable and Housing, for Parking Brake   |      | EA |
|      | 1146015     | 1        | Cable and Housing, for Hand Brake  |      | EA |
|      | 1146016     | 1        | Cable and Housing for Shifter (Indicate Shifter Type)  |      | EA |
| 17   | TES1        |          |  |      | EA |

|   |   |                                |
|---|---|--------------------------------|
|  | Invacare Top End Sports and Recreation Products   | Parts Order Diagram:           |
|   | (800) 532-8677 (727) 522-8677 fax: (727) 522-1007 | <b>Force G: Frame Assembly</b> |
| Date:   | PO#:  | SO#:                           |
| Bill To:  | Ship To:  |                                |
| Quote #:  | Phone:  | Serial #:                      |



| ITEM | PART NUMBER | PER BIKE | DESCRIPTION   |  | QTY. |    |
|------|-------------|----------|---|--|------|----|
| 1    | 1166256     | 1        | Frame, Force G  | Serial # Required: <input type="text"/><br>-Wheel Base: <input type="checkbox"/> 57" <input type="checkbox"/> 60"    -Seat Width: <input type="checkbox"/> 14" <input type="checkbox"/> 15" <input type="checkbox"/> 16" <input type="checkbox"/> 17" <input type="checkbox"/> 18" |      | EA |
| 2    | 1060882     | 2        | Camber Clamp (with SHCS, M6 x 15mm)   |  |      | EA |
| 3    | 1061179     | 2        | Camber Insert, Threaded Axle <input type="checkbox"/> 3 Degree <input type="checkbox"/> 9 Degree      |  |      | EA |
| 4    | 1139810     | 1        | Clamp, 1" Alloy, (with SHCS, M6 x 15mm)   |  |      | EA |
| 5    | 1146002     | 1        | Drafting Bumper (includes 2 plugs)  |  |      | EA |
|      | 1139803     | 2        | Plug, 3/4" Black Dome   |  |      | EA |
| 6    | 1156741     | 1        | Safety flag holder (with SHCS, M6 x 15mm)   |  |      | EA |
| 7    | 1153145     | 1        | Pivot Clamp with hardware (SHCS M6 x 15mm, HHCS 1/4-20 x 2" LG., Locknut 1/4-20, Washers)             |  |      | EA |
| 8    | 1145958     | 1        | Adjustable Back Support Tube  |  |      | EA |
| 9    | 1146019     | 1        | Hardware Upper Adjustable Back Support Tube (HHCS 1/4-20 x 2" LG., Locknut 1/4-20, Washers)           |  |      | EA |
| 10   | 1166254     | 1        | Backrest, Force G   | Serial # Required: <input type="text"/><br>-Seat Width: <input type="checkbox"/> 14" <input type="checkbox"/> 15" <input type="checkbox"/> 16" <input type="checkbox"/> 17" <input type="checkbox"/> 18"   |      | EA |
| 11   | 1146022     | 1        | Hardware, Lower Backrest (Set of 2 Assy) (Cope Washer, HHCS 1/4-28 x 2" Lg., Locknut 1/4-28, Washers) |  |      | PR |
| 12   | 1145951     | 2        | Cap, Spindle with M6 x 15 mm Long Screws  |  |      | EA |
| 13   | 1127921     | 4        | Bearing (Head Tube)   |  |      | EA |
| 14   | 1146018     | 1        | Dampener with hardware, Inch threads (HHCS, 5/16-18 x 3/4" Lg.)                                       |  |      | EA |
|      | 1166397     | 1        | Metric Thread Steering Dampner (Required on forks with <b>groove</b> on Dampner mount)                |  |      |    |
| 15   | 1153194     | 1        | Amputee Leg Rest Assembly ( <b>includes clamps</b> )  |  |      | EA |
| 16   | 1146023     | 1        | Headset Shaft Assembly (10-1/2" Long) Include 2 Star Nut  |  |      | EA |
| 17   | 1166509     | 1        | Back Cushion  | Seat Width: <input type="checkbox"/> 14" <input type="checkbox"/> 15" <input type="checkbox"/> 16" <input type="checkbox"/> 17" <input type="checkbox"/> 18" <input type="checkbox"/> Black <input type="checkbox"/> Camouflage  |      | EA |
| 18   | 1127963     | 1        | Seat Upholstery   | Seat Width: <input type="checkbox"/> 14" <input type="checkbox"/> 15" <input type="checkbox"/> 16" <input type="checkbox"/> 17" <input type="checkbox"/> 18" <input type="checkbox"/> Black <input type="checkbox"/> Camouflage  |      | EA |
| 19   | 1109772     | 1        | Seat Belt   | Seat Width: <input type="checkbox"/> 14" <input type="checkbox"/> 15" <input type="checkbox"/> 16" <input type="checkbox"/> 17" <input type="checkbox"/> 18" <input type="checkbox"/> Black <input type="checkbox"/> Camouflage  |      | EA |
| 20   | 1166508     | 1        | Seat Cushion  | Seat Width: <input type="checkbox"/> 14" <input type="checkbox"/> 15" <input type="checkbox"/> 16" <input type="checkbox"/> 17" <input type="checkbox"/> 18" <input type="checkbox"/> Black <input type="checkbox"/> Camouflage  |      | EA |
| 21   | TES1        |          |   |  |      | EA |



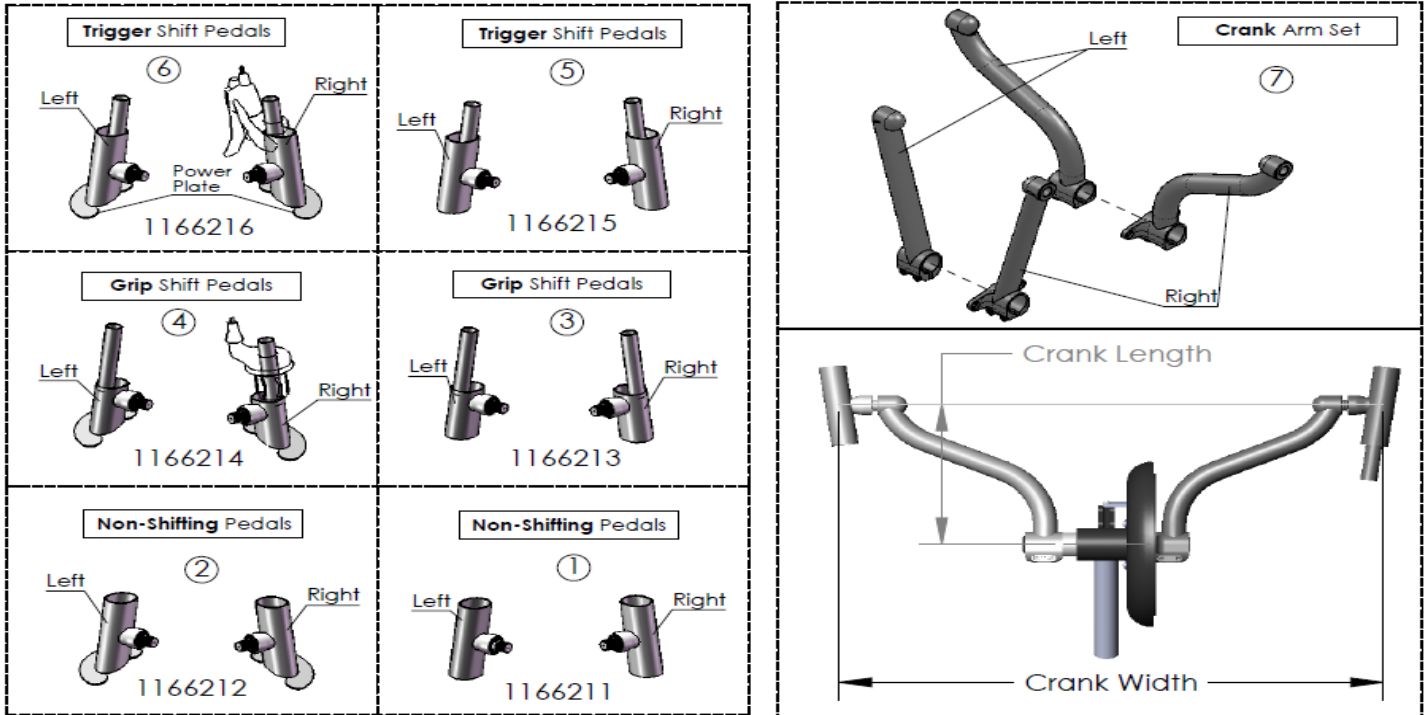
Invacare Top End Sports and Recreation Products

(800) 532-8677 (727) 522-8677 fax: (727) 522-1007

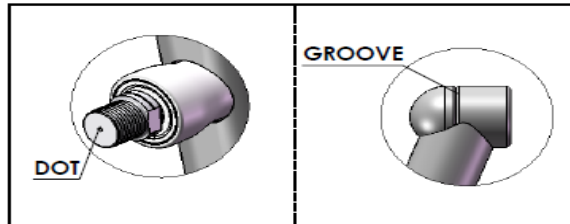
Parts Order Diagram:

**Force G: Pedal and Arm Assembly**

|          |          |           |
|----------|----------|-----------|
| Date:    | PO#:     | SO#:      |
| Bill To: | Ship To: |           |
| Quote #: | Phone:   | Serial #: |



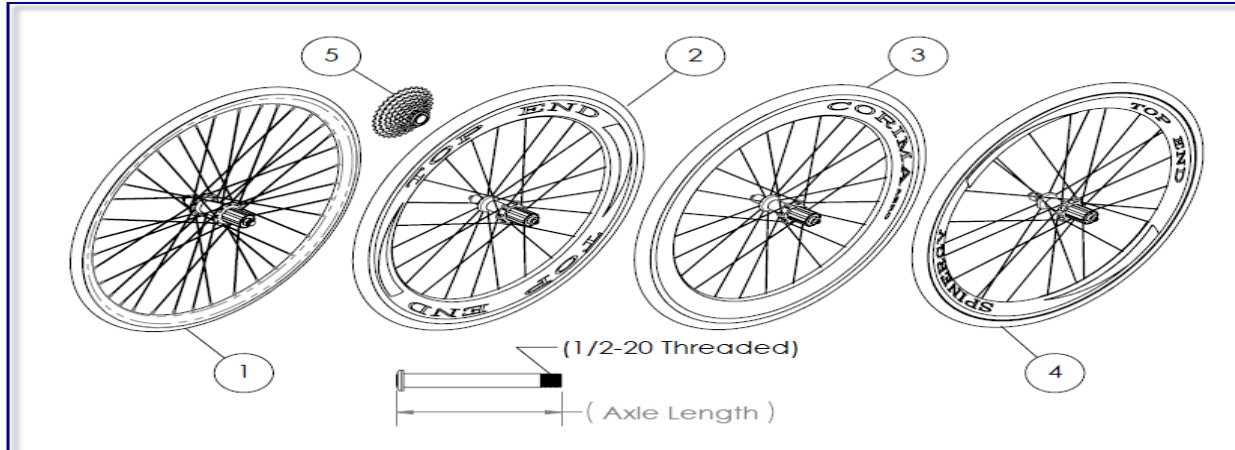
**All Production prior to July 19, 2010, consult with customer services**



**All Threads: 9/16-20**

| ITEM  | PART NUMBER | PER BIKE | Pedals and Cranks <i>after</i> July 19, 2010   |  |   |  |     | QTY. |    |
|---|-------------|----------|--|--|---|--|-----|------|----|
| Produced <i>after</i> July 19, 2010 (Dot? YES)    |             |          | Pedal Size                                     | Bike Serial #  | R or L  | Dot?   |     |      |    |
| 1   | 1166211     | 1        | Handpedal, <b>Non-Shifting</b>                 | <input type="checkbox"/> L <input type="checkbox"/> M <input type="checkbox"/> S |   | <input type="checkbox"/> L OR <input type="checkbox"/> R | Yes |      | EA |
| 2   | 1166212     | 1        | Handpedal w/ Power Plate, <b>Non-Shifting</b>  | <input type="checkbox"/> L <input type="checkbox"/> M <input type="checkbox"/> S |   | <input type="checkbox"/> L OR <input type="checkbox"/> R | Yes |      | EA |
| 3   | 1166213     | 1        | Handpedal, <b>Grip Shift</b>                   | <input type="checkbox"/> L <input type="checkbox"/> M <input type="checkbox"/> S |   | <input type="checkbox"/> L OR <input type="checkbox"/> R | Yes |      | EA |
| 4   | 1166214     | 1        | Handpedal w/ Power Plate, <b>Grip Shifting</b> | <input type="checkbox"/> L <input type="checkbox"/> M <input type="checkbox"/> S |   | <input type="checkbox"/> L OR <input type="checkbox"/> R | Yes |      | EA |
| 5   | 1166215     | 1        | Handpedal, <b>Trigger Shift</b>                | <input type="checkbox"/> L <input type="checkbox"/> M <input type="checkbox"/> S |   | <input type="checkbox"/> L OR <input type="checkbox"/> R | Yes |      | EA |
| 6   | 1166216     | 1        | Handpedal w/ Power Plate, <b>Trigger Shift</b> | <input type="checkbox"/> L <input type="checkbox"/> M <input type="checkbox"/> S |   | <input type="checkbox"/> L OR <input type="checkbox"/> R | Yes |      | EA |
| Produced <i>after</i> July 19, 2010 (Groove? YES) |             |          | Bike Serial #                                  | Crank Length (mm)  | Crank Width (in)  | Groove?  |     |      |    |
| 7   | 1166282     | 1        | S-Crank Arm, Set                               | <input type="checkbox"/> 200 <input type="checkbox"/> 210                        | <input type="checkbox"/> 22 <input type="checkbox"/> 24 | Yes  |     | PR   |    |
|   | 1166217     | 1        | V-Crank Arm, Set                               | <input type="checkbox"/> 180 <input type="checkbox"/> 190                        | <input type="checkbox"/> 20                             | Yes  |     | PR   |    |
| 8   | TES1        |          |  |  |   |  |     | EA   |    |

|   |   |                                |
|---|---|--------------------------------|
|  | Invacare Top End Sports and Recreation Products   | Parts Order Diagram:           |
|   | (800) 532-8677 (727) 522-8677 fax: (727) 522-1007 | <b>Force G: Wheel Assembly</b> |
| Date: <input type="text"/>  | PO#: <input type="text"/>                         | SO#: <input type="text"/>      |
| Bill To: <input type="text"/>   | Ship To: <input type="text"/>                     |                                |
| Quote #: <input type="text"/>   | Phone: <input type="text"/>                       | Serial #: <input type="text"/> |



| ITEM | PART NUMBER | PER BIKE | DESCRIPTION  | QTY. |    |
|------|-------------|----------|--|------|----|
| 1    | 1156776     | 1        | 26 In. (571) High Performance Front Wheel (Drive), (Clincher Only) Alex Black Spoke                        |      | EA |
|      | 1156736     | 1        | 26 In. (571) High Performance Front Wheel (Drive), (Clincher Only) Alex Black Spoke, Disk Brake Compatible |      | EA |
|      | 1156778     | 2        | 26 In. (571) High Performance Rear Wheel (Non-Drive), (Clincher Only) Alex Black Spoke (Axle not Included) |      | EA |
|      | 1166462     | 2        | Threaded Axle, Standard Non-Drive (3 1/4") Alex  |      | EA |
| 2    | 1166260     | 1        | 26 In. (571) Top End Carbon Fiber Front Wheel (Drive), Tubular   |      | EA |
|      | 1166261     | 2        | 26 In. (571) Top End Carbon Fiber Rear Wheel (Non-Drive), Tubular (Axle not Included)                      |      | EA |
|      | 1166246     | 2        | Threaded Axle, Carbon Fiber Non-Drive (3 3/4")   |      | EA |
|      | RACE66      | 2        | 26 In. (571) Zipp Carbon Fiber Disc Rear Wheel (Tubular), w/built in Axle.                                 |      | EA |
| 3    | 1156724     | 1        | 26 In. (571) Corima AERO, Front wheel assembly, (Tubular Only)   |      | EA |
|      | 1156771     | 1        | 26 In. (571) Corima AERO Front wheel assembly, Disc brake Compatible (Tubular Only)                        |      | EA |
|      | 1156725     | 2        | 26 In. (571) Corima AERO w/threaded axle, Rear wheel assembly, (Tubular Only) Built in Axle                |      | EA |
| 4    | 1166385     | 1        | 26 In. (571) Spinergy Front Wheel (Drive), (Clincher only)   |      | EA |
|      | 1166386     | 2        | 26 In. (571) Spinergy Rear Wheel (Non-Drive) with Threaded Axle (Clincher only)                            |      | EA |
|      | 1156688     | 1        | SRAM Cassette, 11-23   |      | EA |
| 5    | 1156689     | 1        | SRAM Cassette, 11-26   |      | EA |
|      | 1156711     | 1        | SRAM Cassette, 11-34 (Standard)  |      | EA |
|      | 1060149     | 3        | Tire 26" Hi-Performance Clincher   |      | EA |
|      | 1156680     | 3        | Tire, 26" Continental Grand Prix 4000 clincher   |      | EA |
|      | 1060160     | 3        | Tube 26" (Hi-Performance), Standard Stem   |      | EA |
|      | 1139820     | 3        | Tube 26" (Hi-Performance), Long Stem (Spinergy)  |      | EA |
|      | 1061213     | 3        | 26 In. Rim Strip   |      | EA |
|      | RACE36      | 3        | Tire, Tubular Tufo S3 Lite   |      | EA |
|      | RACE31      | 3        | Tire, Tubular Tufo Jet Special   |      | EA |
|      | 1166472     | 3        | Tire, 26" Continental Sprinter, Tubular  |      | EA |
| 6    | TES1        |          |  |      | EA |