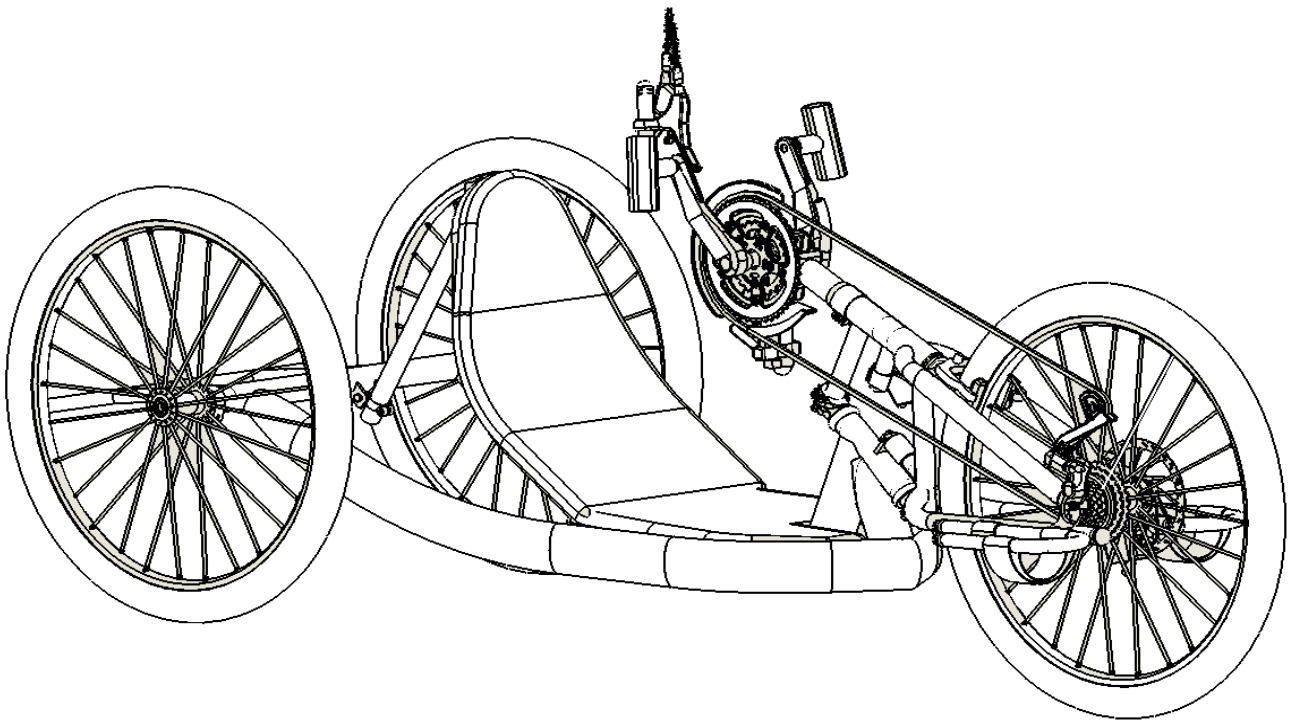




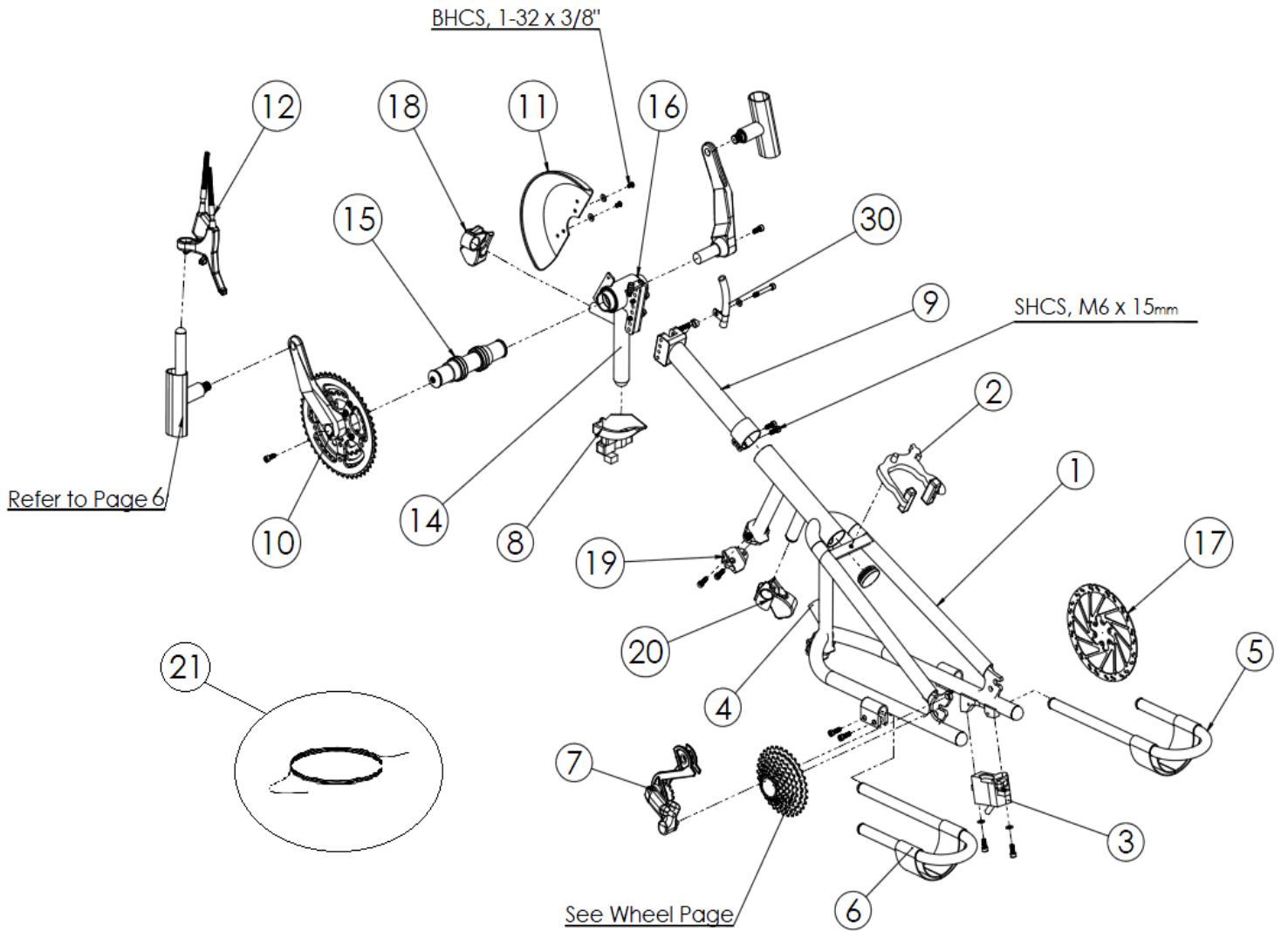
Sports and Recreation Products  
4501 63rd Circle North  
Pinellas Park, FL 33781  
(800) 532-8677 (727) 522-8677  
Fax: (727) 522-1007

# Invacare Top End Parts Catalog Force 3





Sports and Recreation Products  
 4501 63rd Circle North  
 Pinellas Park, FL 33781  
 (800) 532-8677 (727) 522-8677  
 Fax: (727) 522-1007





Invacare Top End Sports and Recreation Products

(800) 532-8677 (727) 522-8677 fax: (727) 522-1007

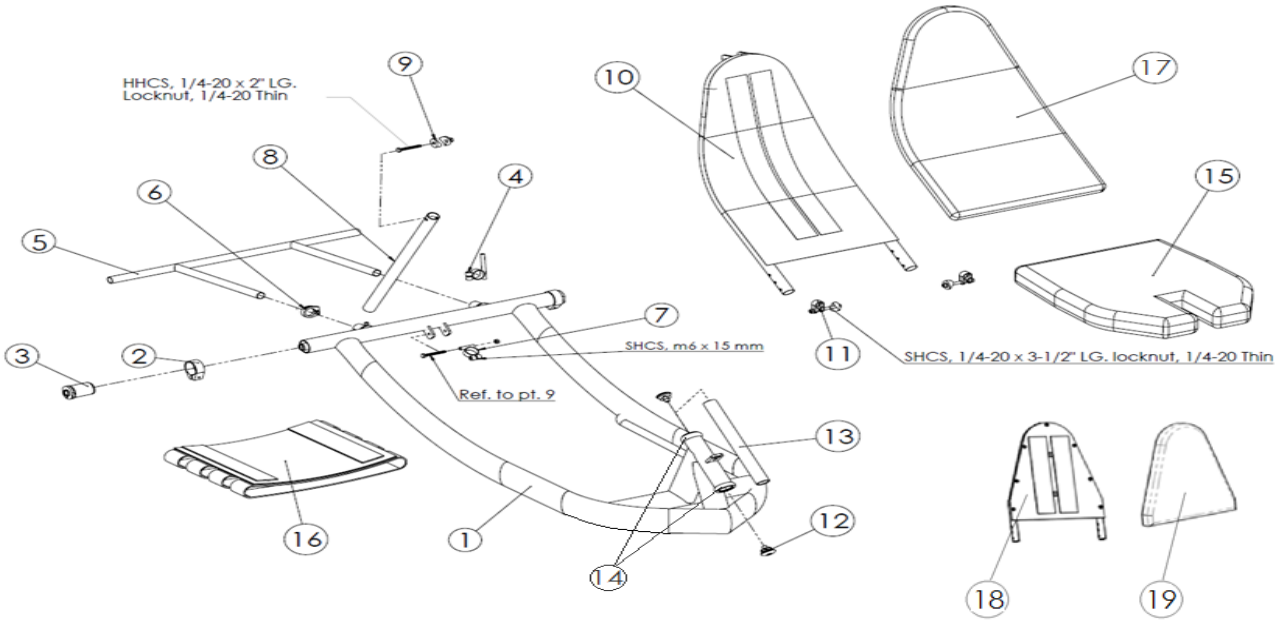
Parts Order Diagram:

**Force 3: Fork and Crank**

|          |          |           |
|----------|----------|-----------|
| Date:    | PO#:     | SO#:      |
| Bill To: | Ship To: |           |
| Quote #: | Phone:   | Serial #: |

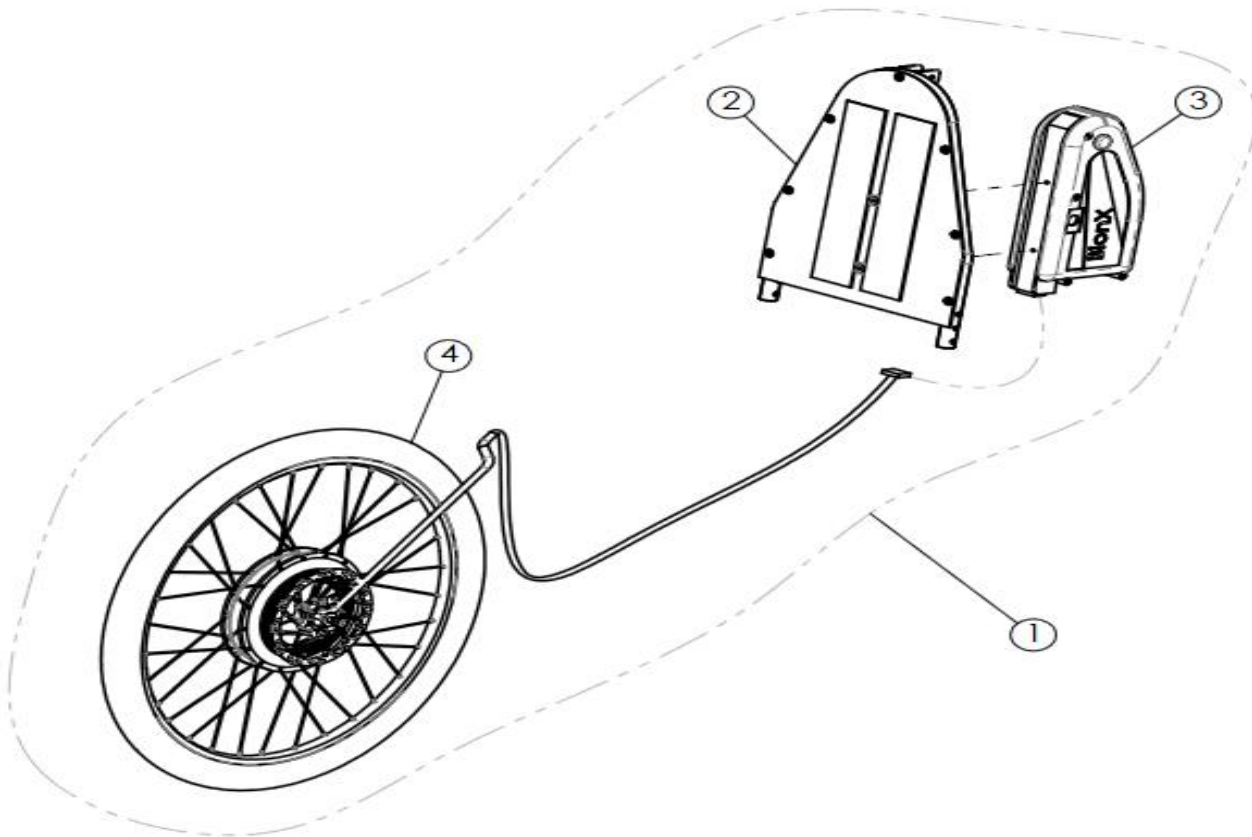
| ITEM | PART NUMBER | PER BIKE | DESCRIPTION  | QTY. |    |
|------|-------------|----------|--|------|----|
| 1    | 1166391     | 1        | Fork, Force 3 Serial# Required - <input type="text"/>  |      | EA |
| 2    | 1127940     | 2        | Brake Caliper <input type="checkbox"/> Left <input type="checkbox"/> Right   |      | EA |
| 3    | 1156720     | 1        | Disc Brake Caliper   |      | PR |
| 4    | 1166397     | 1        | Dampner M8 x 1.25 Metric   |      | PR |
| 5    | 1153042     | 1        | Handcycle Leg Support, (3/4") w/Strap, (5-1/2" Wide) (Original-Black, Replacement-Silver)                                      |      | EA |
| 6    | 1060650     | 2        | Footrest Strap Only  |      | EA |
| 7    | 1054246     | 1        | Shimano Deore Derailleur (Front Wheel)   |      | EA |
| 8    | 1060650     | 2        | Deora Derailleur Cable Driven (Upper Chainring)  |      | EA |
| 9    | 1153228     | 1        | Crank Assembly/Fork connecting Tube  |      | EA |
| 10   | 1166394     | 1        | Chainring (48-36-26T) and Crank Arm (175mm) Assembly   |      | EA |
|      | 1166217     | 1        | Chainring (48-39-24T) and V Crank upgrade (180mm x 20") Assembly   |      | EA |
|      | 1057052     | 1        | Standard Chain, 154 Links, (Ref. to Chainring Assy.)   |      | EA |
| 11   | 1156773     | 1        | Chainring Guard, Solid   |      | EA |
| 12   | 1127946     | 1        | RapidFire Shifter/Brake Lever RH, 9 speed  |      | EA |
| 13   | 1146020     | 1        | 1-3/8" Fork Clamp, with Cable Guide  |      | EA |
| 14   | 1166393     | 1        | Crank Assy., Vertical Adj. only, [(Threaded Bottom Bracket) BB NOT included]   |      | EA |
| 15   | 1127921     | 1        | Bottom Bracket Assembly (Spindle, Bearings, and caps included)   |      | EA |
| 16   | 1180993     | 2        | Crank Spacer, (width: 1/4 3/8 1/2 5/8 3/4 7/8 1")  |      | EA |
| 17   | 1166649     | 1        | Brake Rotor  |      | EA |
| 18   | 1166481     | 1        | Rear Derailleur Lever  |      | EA |
| 19   | 1153164     | 1        | Fork Clamp   |      | EA |
| 20   | 1166481     | 1        | Parking Brake Lever  |      | EA |
| 21   | 1146014     | 1        | Cable and Housing: <input type="checkbox"/> Parking Brake <input type="checkbox"/> Hand Brake <input type="checkbox"/> Shifter |      | EA |

|  |   |           |                                |  |
|--|---|-----------|--------------------------------|--|
|  | Invacare Top End Sports and Recreation Products   |           | Parts Order Diagram:           |  |
|  | (800) 532-8677 (727) 522-8677 fax: (727) 522-1007 |           | <b>Force 3: Frame Assembly</b> |  |
| Date:  | PO#:  | SO#:      |                                |  |
| Bill To:   |   | Ship To:  |                                |  |
| Quote #:   | Phone:  | Serial #: |                                |  |



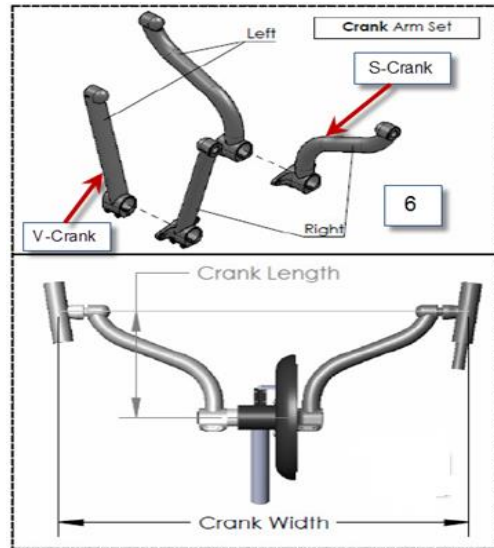
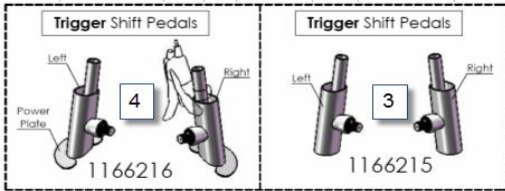
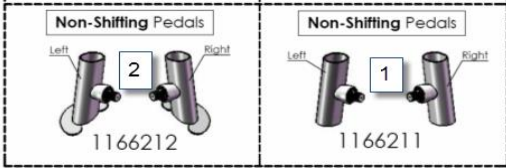
| ITEM | PART NUMBER | PER BIKE | DESCRIPTION  |   | QTY.  |    |
|------|-------------|----------|--|---|---|----|
| 1    | 1166390     | 1        | Frame, Force 3   | Serial #: <input type="text"/><br>Wheel Base, 60" Std                               | Seat Width:<br><input type="checkbox"/> 15" Stealth Black<br><input type="checkbox"/> 17" Stealth Black | EA |
| 2    | 1060882     | 2        | Camber Clamp (with screw)  |   |   | EA |
| 3    | 1061179     | 2        | Camber Insert, Threaded Axle, 0 degree                             |   |   | EA |
| 4    | 1156741     | 1        | Safety flag holder, (will not hold original Flag with orange Pole) |   |   | EA |
| 5    | 1146002     | 1        | Drafting Bumper (includes 2 plugs)                                 |   |   | EA |
|      | 1139803     | 2        | Plug, 3/4" Black Dome (use with drafting bumper)                   |   |   | EA |
| 6    | 1139810     | 1        | Clamp, 1" Alloy, single screw                                      |   |   | EA |
| 7    | 1153145     | 1        | Pivot Clamp with hardware (included 2 bolts, 1 nut, 2 Washers)     |   |   | EA |
| 8    | 1145958     | 1        | Adjustable Back Support Tube                                       |   |   | EA |
| 9    | 1146019     | 1        | Hardware, Upper Adjustable Back Support Tube                       |   |   | EA |
| 10   | 1145952     | 1        | Backrest, Force 3  | Seat Width: <input type="checkbox"/> 15" Inches <input type="checkbox"/> 17" Inches |   | EA |
| 11   | 1146022     | 1        | Hardware, Lower Backrest (Set of 2 Assemblies)                     |   |   | PR |
| 12   | 1145951     | 2        | Cap, w/Screw M6 x 15mm   |   |   | PR |
| 13   | 1166512     | 1        | Headset Shaft Assembly (10-3/8" Long) Include 2 Star Nut.          |   |   | EA |
| 14   | 1166475     | 1        | Headset, 1-1/8" dia. (must be pressed in with the frame)           |   |   | EA |
| 15   |             | 1        | Seat Cushion, Black  | Seat Width: <input type="checkbox"/> 15" Inches <input type="checkbox"/> 17" Inches |   | EA |
| 16   |             | 1        | Seat Upholstery, Black   | Seat Width: <input type="checkbox"/> 15" Inches <input type="checkbox"/> 17" Inches |   | EA |
| 17   |             | 1        | Back Cushion, Black  | Seat Width: <input type="checkbox"/> 15" Inches <input type="checkbox"/> 17" Inches |   | EA |
| 18   |             | 1        | Up-Right Back Support  | Seat Width: <input type="checkbox"/> 15" Inches <input type="checkbox"/> 17" Inches |   | EA |
| 19   |             | 1        | Up-Right Back Cushion, Black                                       | Seat Width: <input type="checkbox"/> 15" Inches <input type="checkbox"/> 17" Inches |   | EA |
| 20   |             | 1        | Seatbelt   |   |   | EA |

|  |   |           |                                    |  |
|--|---|-----------|------------------------------------|--|
|  | Invacare Top End Sports and Recreation Products   |           | Parts Order Diagram:               |  |
|  | (800) 532-8677 (727) 522-8677 fax: (727) 522-1007 |           | <b>Force 3: Bionix Power Boost</b> |  |
| Date:  | PO#:  | SO#:      |                                    |  |
| Bill To:   |   | Ship To:  |                                    |  |
| Quote #:   | Phone:  | Serial #: |                                    |  |



| ITEM | PART NUMBER | PER BIKE | DESCRIPTION  | QTY. |    |
|------|-------------|----------|--|------|----|
| 1    | 1181169     | 1        | Bionx Power Boost Kit    Seat Width: <input type="checkbox"/> 15" Inches <input type="checkbox"/> 17" Inches |      | EA |
| 2    | 1181152     | 1        | Bionx Backrest Assembly, Seat Width: <input type="checkbox"/> 15" Inches <input type="checkbox"/> 17" Inches |      | EA |
| 3    | 1181170     | 1        | Battery DT 48V 6.6 amps flat black   |      | EA |
| 4    | 1181171     | 1        | 350W Freewheel G1 Motor Black ( W/ Rim 26" Black, 32 Spoke 26" Black, 32 Nipples)                            |      | EA |
|      | 1181172     | 1        | Docking Station w/o DC   |      | EA |
|      | 1181173     | 1        | G2 Console with Clip and Receptable  |      | EA |
|      | 1181174     | 1        | G2 Throttle Module   |      | EA |
|      | 1181175     | 1        | Power Supply 48V (w/o power cord)  |      | EA |

|   |   |           |                                 |  |
|---|---|-----------|---------------------------------|--|
|  | Invacare Top End Sports and Recreation Products   |           | Parts Order Diagram:            |  |
|   | (800) 532-8677 (727) 522-8677 fax: (727) 522-1007 |           | <b>Force 3: Pedals and Arms</b> |  |
| Date:   | PO#:  | SO#:      |                                 |  |
| Bill To:  |   | Ship To:  |                                 |  |
| Quote #:  | Phone:  | Serial #: |                                 |  |



| ITEM | PART NUMBER | PER BIKE | Pedals and Cranks                              |   |  |  | QTY. |    |
|------|-------------|----------|--|---|--|--|------|----|
|      |             |          | Pedal Size                                     | R or L  | Bike Serial #  |  |      |    |
| 1    | 1166211     | 1        | Handpedal, <b>Non-Shifting</b>                 | <input type="checkbox"/> Large <input type="checkbox"/> Med<br><input type="checkbox"/> Small | <input type="checkbox"/> Left <input type="checkbox"/> Right |  |      | EA |
| 2    | 1166212     | 1        | Handpedal w/ Power Plate, <b>Non-Shifting</b>  | <input type="checkbox"/> Large <input type="checkbox"/> Med<br><input type="checkbox"/> Small | <input type="checkbox"/> Left <input type="checkbox"/> Right |  |      | EA |
| 3    | 1166215     | 1        | Handpedal, <b>Trigger Shift</b>                | <input type="checkbox"/> Large <input type="checkbox"/> Med<br><input type="checkbox"/> Small | <input type="checkbox"/> Left <input type="checkbox"/> Right |  |      | EA |
| 4    | 1166216     | 1        | Handpedal w/ Power Plate, <b>Trigger Shift</b> | <input type="checkbox"/> Large <input type="checkbox"/> Med<br><input type="checkbox"/> Small | <input type="checkbox"/> Left <input type="checkbox"/> Right |  |      | EA |

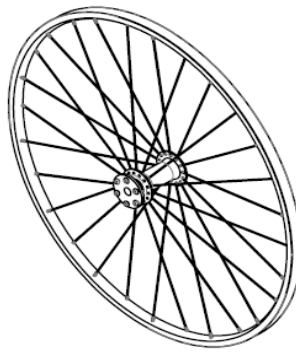
| Crank Conversion Kits |         | Bike Serial #                                       | Crank Length (mm)            |                              | Crank Width (in)            |                             | Chainring | QTY |    |
|-----------------------|---------|---|------------------------------|------------------------------|-----------------------------|-----------------------------|-----------|-----|----|
| 5                     | 1166392 | Conversion Kit, V-Style<br>All Parts Inc. 1 per Ord | <input type="checkbox"/> 200 | <input type="checkbox"/> 210 | <input type="checkbox"/> 22 | <input type="checkbox"/> 24 | 48-39-24  |     | EA |
|                       | 1166414 | Conversion Kit, S-Style<br>All Parts Inc. 1 per Ord | <input type="checkbox"/> 180 | <input type="checkbox"/> 190 | <input type="checkbox"/> 20 |                             | 48-39-24  |     | EA |

| Crank Replacement |         | Bike Serial # | Crank Length (mm)   |                              | Crank Width (in)             |                             | Groove?                     | QTY |  |    |
|-------------------|---------|---------------|---|------------------------------|------------------------------|-----------------------------|-----------------------------|-----|--|----|
| 6                 | 1166282 | 1             | S-Crank<br>Arm, Set   | <input type="checkbox"/> 200 | <input type="checkbox"/> 210 | <input type="checkbox"/> 22 | <input type="checkbox"/> 24 | Yes |  | EA |
|                   | 1166217 | 1             | V-Crank<br>Arm, Set   | <input type="checkbox"/> 180 | <input type="checkbox"/> 190 | <input type="checkbox"/> 20 |                             | Yes |  | EA |
|                   | 1166516 | 1             | Crank Width Extension Set, Adapter (Increase Overall Width by 1-1/4") |                              |                              |                             |                             |     |  | EA |

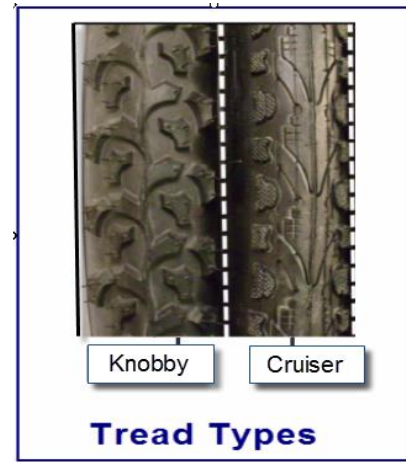
|          |   |           |                                |  |
|----------|---|-----------|--------------------------------|--|
|          | Invacare Top End Sports and Recreation Products   |           | Parts Order Diagram:           |  |
|          | (800) 532-8677 (727) 522-8677 fax: (727) 522-1007 |           | <b>Force 3: Wheel Assembly</b> |  |
| Date:    | PO#:  |           | SO#:                           |  |
| Bill To: |   | Ship To:  |                                |  |
| Quote #: | Phone:  | Serial #: |                                |  |



**Rear Wheel**



**Front Wheel**



| ITEM | PART NUMBER | PER BIKE | DESCRIPTION  | QTY. |    |
|------|-------------|----------|--|------|----|
| 1    | 1166683     | 1        | Drive wheel, 26 (559) x 1.25, disc brake Compatible, 36H   |      | EA |
| 2    | 1166695     | 2        | Rear Wheel Assy. <b>(does not include axle)</b>            |      | EA |
|      | 1166246     | 2        | Threaded axle (Alex metal spoke wheels) 3-3/4" long        |      | EA |
|      | 1166681     | 3        | Cruiser tire, 26x1.25 (40-559) Kenda Kwest reflective K193 |      | EA |
|      | 1166682     | 3        | Tube, 26x1.50-1.95 w/Presta valve                          |      | EA |
|      | 1156711     | 1        | Sram Cassette Cluster: 11-34                               |      | EA |



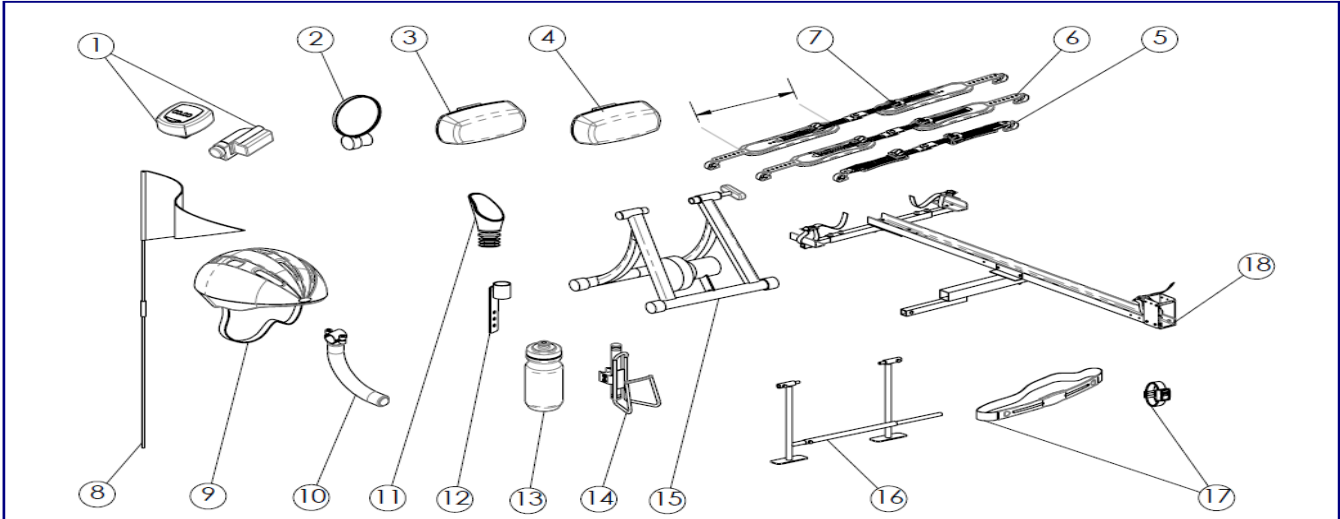
Invacare Top End Sports and Recreation Products

(800) 532-8677 (727) 522-8677 fax: (727) 522-1007

Parts Order Diagram:

**Force 3: Accessories**

|          |          |           |
|----------|----------|-----------|
| Date:    | PO#:     | SO#:      |
| Bill To: | Ship To: |           |
| Quote #: | Phone:   | Serial #: |



| ITEM | PART NUMBER | PER BIKE | DESCRIPTION  | QTY. |    |
|------|-------------|----------|--|------|----|
| 1    | 1056875     | 1        | Cordless Computer  |      | EA |
| 2    | 1068722     | 1        | Mirror, Footrest Mount   |      | EA |
| 3    | 1068721     | 1        | Front Safety Light (clear)   |      | EA |
| 4    | 1060841     | 1        | Rear Safety Light (red)  |      | EA |
| 5    | 1152963     | 1        | Click Strap Set, 8" (small)  |      | EA |
| 6    | 1152964     | 1        | Click Strap Set 10" (medium)   |      | EA |
| 7    | 1152965     | 1        | Click Strap Set 12" (large)  |      | EA |
| 8    | 1060642     | 1        | Safety flag <b>(Does not include Flag Holder p/n 1156741) (Does not fit oem holder)</b>                      |      | EA |
| 9    | 1060639     | 1        | Helmet: <input type="checkbox"/> Small <input type="checkbox"/> Medium <input type="checkbox"/> Large        |      | EA |
| 10   | 1166379     | 1        | Curve Leg Support Kit  |      | EA |
| 11   | 1153045     | 1        | Mirror, Handle Mount   |      | EA |
| 12   | 1166628     | 1        | Mirror Bracket, Chainguard Mount (include: two Screw, #10-32 x 1/2")   |      | EA |
| 13   | 1166517     | 1        | Water Bottle   |      | EA |
| 14   | 1068718     | 1        | Water Bottle, Cage and Hardware ( Indicated Bike Model)  |      | PR |
| 15   | 1116580     | 1        | Indoor Training Roller   |      | EA |
|      | XLT86*      | 1        | LeMond Revolution trainer w/power meter  |      | EA |
|      | XLT87*      | 1        | LeMond Revolution trainer  |      | EA |
|      | 1166633     | 1        | Upright Weldment, LeMond Revolution Trainer  |      | EA |
|      | XLT97*      | 1        | SportCrafters handcycle mini roller  |      | EA |
| 16   | 1109717     | 1        | Alignment Guage  |      | EA |
| 17   | 1139799     | 1        | Heart Monitor (Chest Strap and Watch)  |      | EA |
| 18   | 1068771     | 1        | Bike Rack for trailer hitch Receiver Size: <input type="checkbox"/> 1-1/4" (std) <input type="checkbox"/> 2" |      | EA |
|      | 1166528     | 1        | Leg Guard Attachment   |      | EA |
|      | 1060798     | 1        | Backpack Hydration System  |      | EA |
|      | 1166518     | 1        | Tool and Tire Repair Kit   |      | EA |
|      | RACE4       | 1        | Wheel Bag (fit 3 700c Wheels)  |      | EA |
|      | RACE20      | 1        | Handcycle Travel Bag   |      | EA |
|      | RACE13      | 1        | Top End Racing Jersey, Short Sleeve <input type="checkbox"/> Large <input type="checkbox"/> X-Large          |      | EA |
|      | RACE22      | 1        | T-Shirt with Top End Logo, <input type="checkbox"/> Large <input type="checkbox"/> X-Large                   |      | EA |