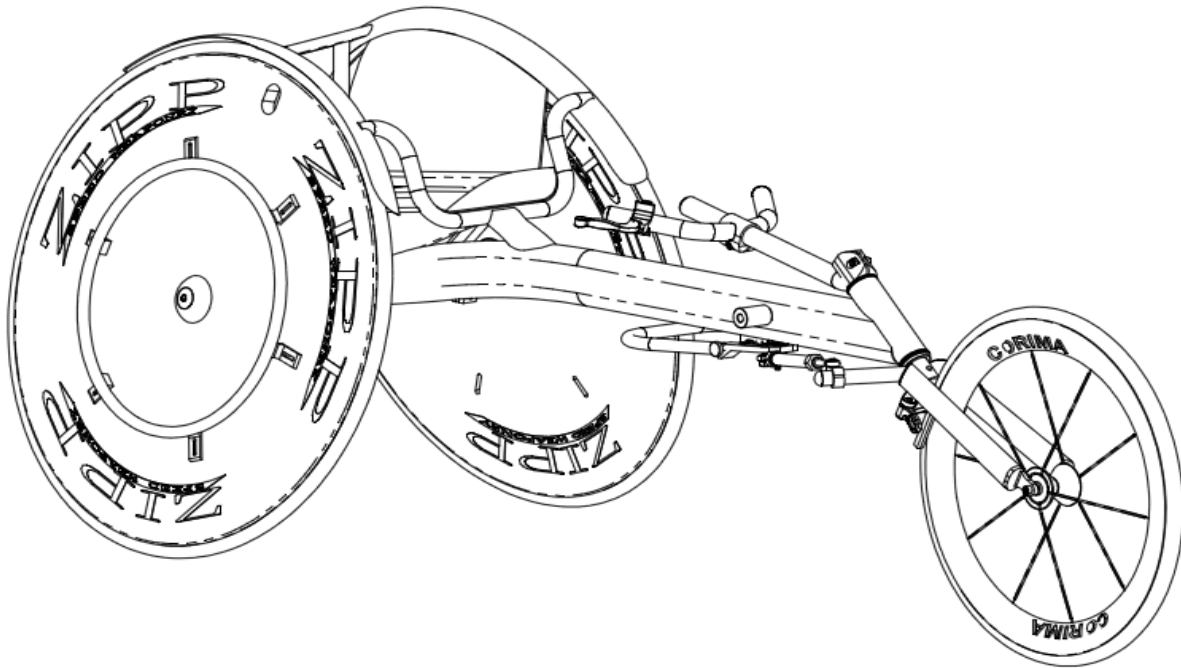
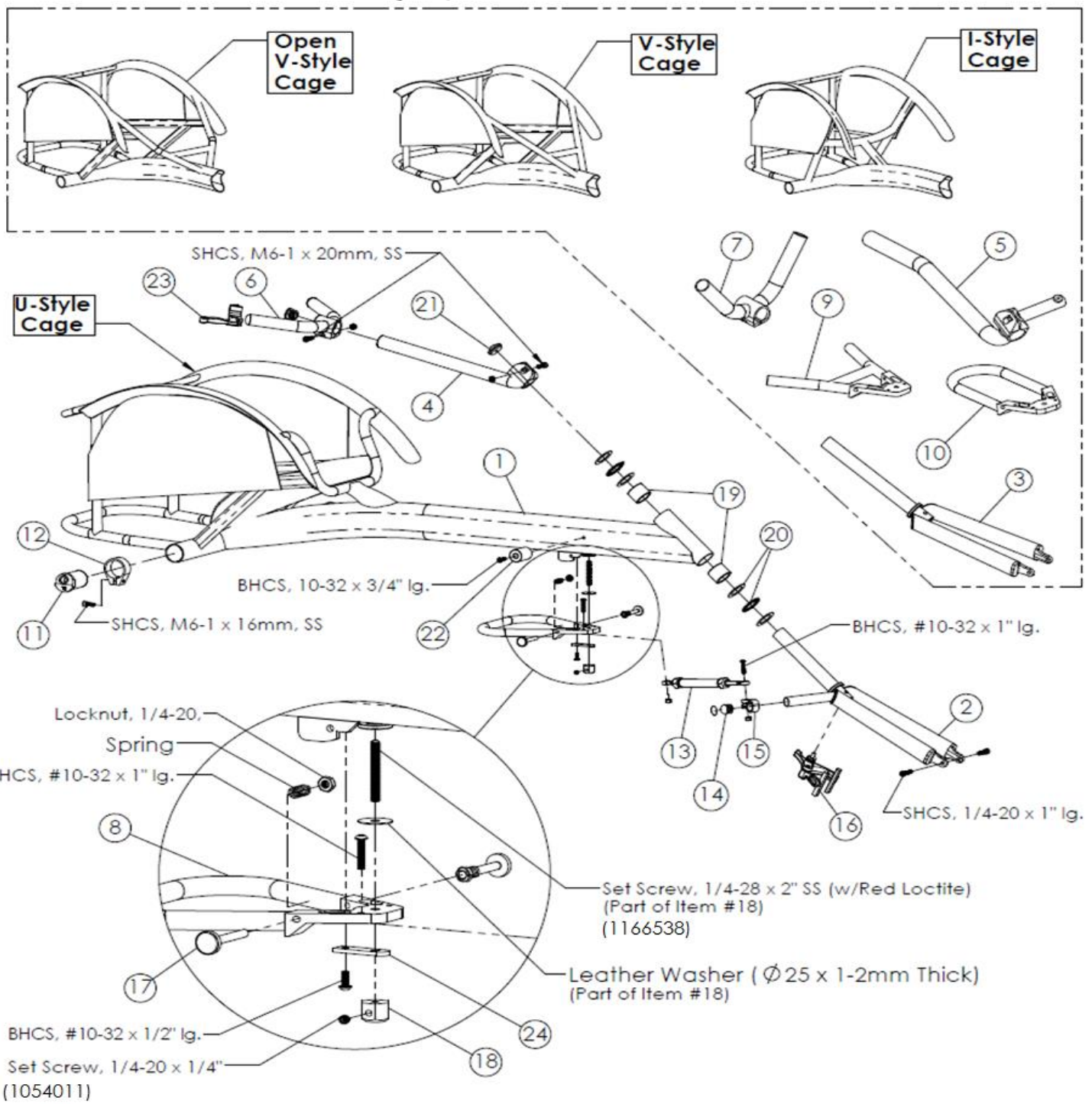




Sports and Recreation Products
4501 63rd Circle North
Pinellas Park, FL 33781
(800) 532-8677 (727) 522-8677
Fax: (727) 522-1007

Invacare Top End Parts Catalog Eliminator OSR

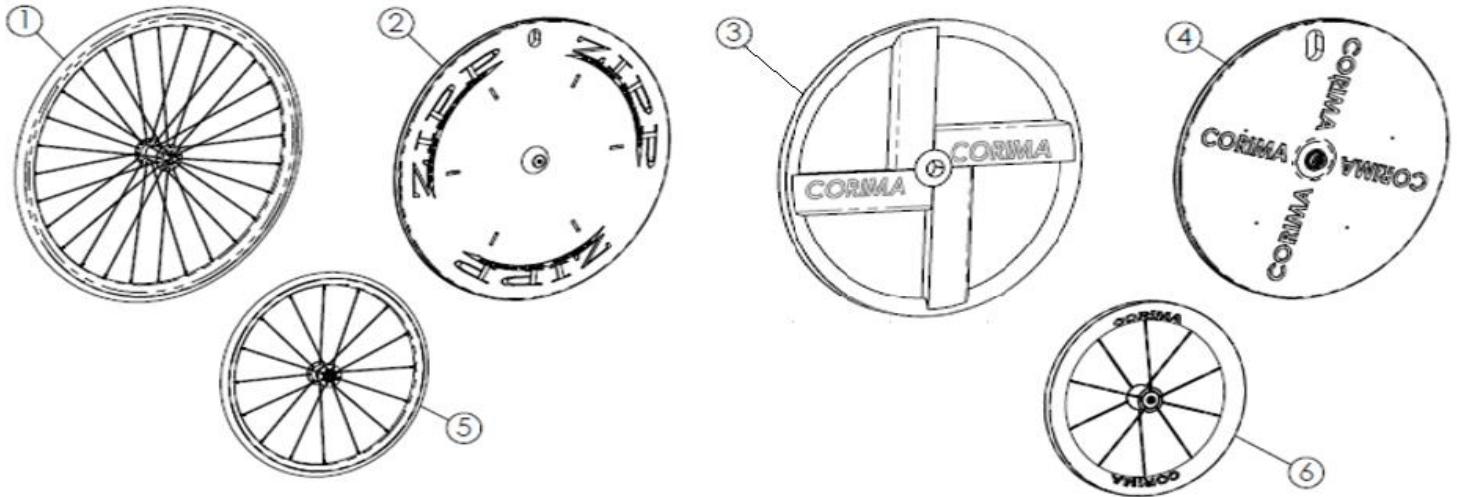




	Invacare Top End Sports and Recreation Products		Parts Order Diagram:	
	(800) 532-8677 (727) 522-8677 fax: (727) 522-1007		Eliminator: Frame Assembly	
Date:	PO#:	SO#:		
Bill To:	Ship To:			
Quote #:	Phone:	Serial #:		

Item Number	Part Number	Per Unit	Description	Order Qty	
1	1146065	1	Top End Eliminator OSR Racing Frame Only: Send new complete chair order form		EA
			Orig. Serial # <input type="text"/>		
2	1060915	1	Fork, Bottom Steering		EA
3	1146073	1	Fork, Top Steering		EA
4	1166308	1	Steering Handle, Bottom Steering		EA
5	1166307	1	Steering Handle, Top Steering		EA
6	1166310	1	Steering V, Horizontal (includes two 7/8" plastic plug, black) (includes two SHCS, M6-1 x 20mm, SS)		EA
7	1166306	1	Steering V, Vertical (includes two 7/8" plastic plug)		EA
8	1146066	1	Standard Track Control Steering Mechanism (Aluminum) (Triangle)		EA
9	1166309	1	Open-End Track Control Steering Mechanism (Aluminum)		EA
10	1166305	1	Oval Track Control Steering Mechanism, (Aluminum)		EA
11	1061179	2	Bushing Camber Degrees:		EA
12	1116530	2	Camber Clamp (Includes two M6-1 x 15mm)		EA
13	1166420	1	Compensator Adjustment Cylinder (does not include hardware)		EA
14	1139803	1	3/4" plastic plug, black		EA
	1027095	2	7/8" plastic plug, black		EA
15	1142840	1	Compensator Clamp		EA
16	1127940	1	Brake caliper for high-performance tire (short mount stem)		EA
17	1166558	2	Thumb Screw Assembly, (include Spring, Screw & Nut)		EA
18	1139787	1	Track Control Mounting Nut Assembly [Includes one 1/4-28 x 2" Set Screw (1166538), Two 1/4-20 x 1/4 Set Screws (1054011), and one Leather Washer]		EA
19	1060269	2	Eliminator Headtube Bushing		EA
20	1063588	1	Headset Bearing Kit (includes 2 Bearing & 4 Races)		EA
21	1061224	1	Cap and Screw, with SHCS, 10-24 x 1" lg. for Fork		EA
22	1060689	1	Computer Mount, (include BHCS, 10-32 x 1")		EA
23	1060209	1	Brake Handle		EA
	1063587	1	Brake Kit Complete, (includes Brake Handle, Cable & Caliper)		EA
	1146014	1	Brake Cable and housing		EA
24	1166659	1	Pivot Plate to Track Control Steering Mechanism		EA

	Invacare Top End Sports and Recreation Products		Parts Order Diagram:	
	(800) 532-8677 (727) 522-8677 fax: (727) 522-1007		Eliminator: Wheels and Tires	
Date:	PO#:	SO#:		
Bill To:	Ship To:			
Quote #:	Phone:	Serial #:		



Item Number	Part Number	Per Chair	Description	Tire Type / Other	Order Qty	
Wheel						
1	1061162	2	27" (700c) 28 Spoke Rear Wheel w/Axle	Clincher		EA
	1061193	2	26" (650c) 28 Spoke, Rear Wheel w/Axle	Clincher		EA
2	Race65	2	27 in. (700c) Zipp Carbon Fiber Disc w/Axle	Tubular		EA
3	Race62	2	27 in. (700c) Corima Carbon Fiber 4 Spoke w/Axle	Tubular <input type="checkbox"/> Right <input type="checkbox"/> Left		EA
4	Race64	2	27 in. (700c) Corima Carbon Fiber Disc	Tubular <input type="checkbox"/> Right <input type="checkbox"/> Left		EA
	Race64	2	26 in. (650c) Corima Carbon Fiber Disc	Tubular <input type="checkbox"/> Right <input type="checkbox"/> Left		EA
5	1060925	1	20 in. Front Wheel	Tubular		EA
6	Race60	1	20 in. Corima Carbon Fiber Front Wheel	Tubular		EA
Tire						
	1059400	2	700c Clincher tire	Clincher		EA
	1060161	2	700c Clincher Tube	Clincher		EA
	Race9	2	700c Tubular tire Panaracer Rapide	Tubular		EA
	Race32	2	700c Tufo Jet Special Tubular tire (230g)	Tubular		EA
	1060149	2	Tire, 26" (650c X 23) High-Performance	Clincher		EA
	1060160	2	Tube, 26" X 1" (650c X 23) High-Performance	Clincher		EA
	Race31	2	26" Tufo jet Special Tubular Tire	Tubular		EA
	Race7	1	Tire, 20 in. Front Tubular Panaracer Rapide	Tubular		EA
	Race30	1	Tire, 20 in. Front Tubular Tufo S3 Lite (100g)	Tubular		EA
		1	Assemble Wheel(s)?: <input type="checkbox"/> Yes <input type="checkbox"/> No			EA



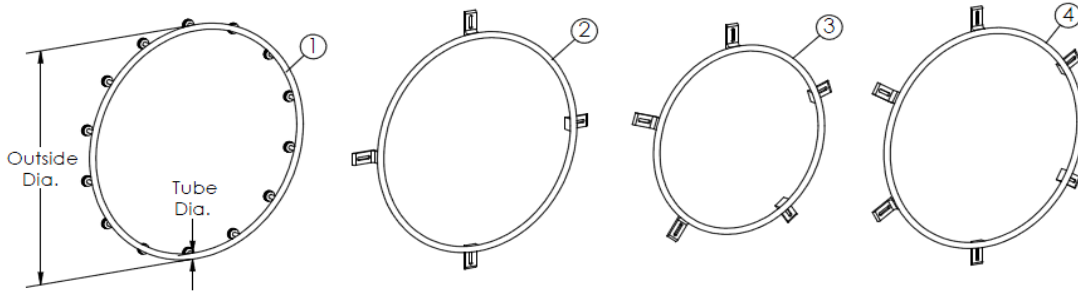
Invacare Top End Sports and Recreation Products

(800) 532-8677 (727) 522-8677 fax: (727) 522-1007

Parts Order Diagram:

Eliminator: Handrims

Date:	PO#:	SO#:
Bill To:	Ship To:	
Quote #:	Phone:	Serial #:



Item Number	Part Number	Per Chair	Description	Outside Diameter (seen above)	Order Qty	
	1152975	<input type="checkbox"/>	(1/2") Non-Standard Peg Length	<input type="checkbox"/> 1/4" <input type="checkbox"/> 3/4"	Add \$50.00 per hand rim	
	1152976	<input type="checkbox"/>	(3/8") Non-Standard Tube Diameter	<input type="checkbox"/> 1/2"	Add \$50.00 per hand rim	
1	1152937	2	<input type="checkbox"/> Coated Pushrim, 28 Spoke Wheel Number of Tabs: <input type="checkbox"/> 14 <input type="checkbox"/> 9	<input type="checkbox"/> 12" <input type="checkbox"/> 13" <input type="checkbox"/> 13 1/2" <input type="checkbox"/> 14"		EA
	1152935	2	<input type="checkbox"/> Bare Pushrim, 28 Spoke Wheel Number of Tabs: <input type="checkbox"/> 14 <input type="checkbox"/> 9	<input type="checkbox"/> 14 1/2" <input type="checkbox"/> 15" <input type="checkbox"/> 15 1/2" <input type="checkbox"/> 16"		EA
	1153159	2	Hardware for 28 Spoke Pushrim (for each set, include: 14 Screws & 28 Washers)			
2	1152966	2	<input type="checkbox"/> Coated Pushrim, Corima 4 Spoke	<input type="checkbox"/> 12" <input type="checkbox"/> 13" <input type="checkbox"/> 13 1/2" <input type="checkbox"/> 14"		EA
	1152968	2	<input type="checkbox"/> Bare Pushrim, Corima 4 Spoke	<input type="checkbox"/> 14 1/2" <input type="checkbox"/> 15" <input type="checkbox"/> 15 1/2" <input type="checkbox"/> 16"		EA
	1153161	2	Hardware for Corima 4 Spoke Pushrim (for each set, include: 4 Screws, 4 washers, & 4 locknut)			
3	1152940	2	<input type="checkbox"/> Coated Pushrim, Corima Disc	<input type="checkbox"/> 12" <input type="checkbox"/> 13" <input type="checkbox"/> 13 1/2" <input type="checkbox"/> 14"		EA
	1152938	2	<input type="checkbox"/> Bare Pushrim, Corima Disc	<input type="checkbox"/> 14 1/2" <input type="checkbox"/> 15" <input type="checkbox"/> 15 1/2" <input type="checkbox"/> 16"		EA
	1153160	2	Hardware for Corima disk wheel Pushrim (for each set, include: 5 screws & 5 washers)			
4	1152969	2	<input type="checkbox"/> Coated Pushrim, for Zipp Disc	<input type="checkbox"/> 12" <input type="checkbox"/> 13" <input type="checkbox"/> 13 1/2" <input type="checkbox"/> 14"		EA
	1152971	2	<input type="checkbox"/> Bare Pushrim, for Zipp disc	<input type="checkbox"/> 14 1/2" <input type="checkbox"/> 15" <input type="checkbox"/> 15 1/2" <input type="checkbox"/> 16"		EA
	1153162	2	Hardware for Zipp disc Pushrim (for each set, include: 6 screws & 6 washers)			
	1139824	2	Rubber Coating to Elim Handrim (each), Cut to size, w/o glue			



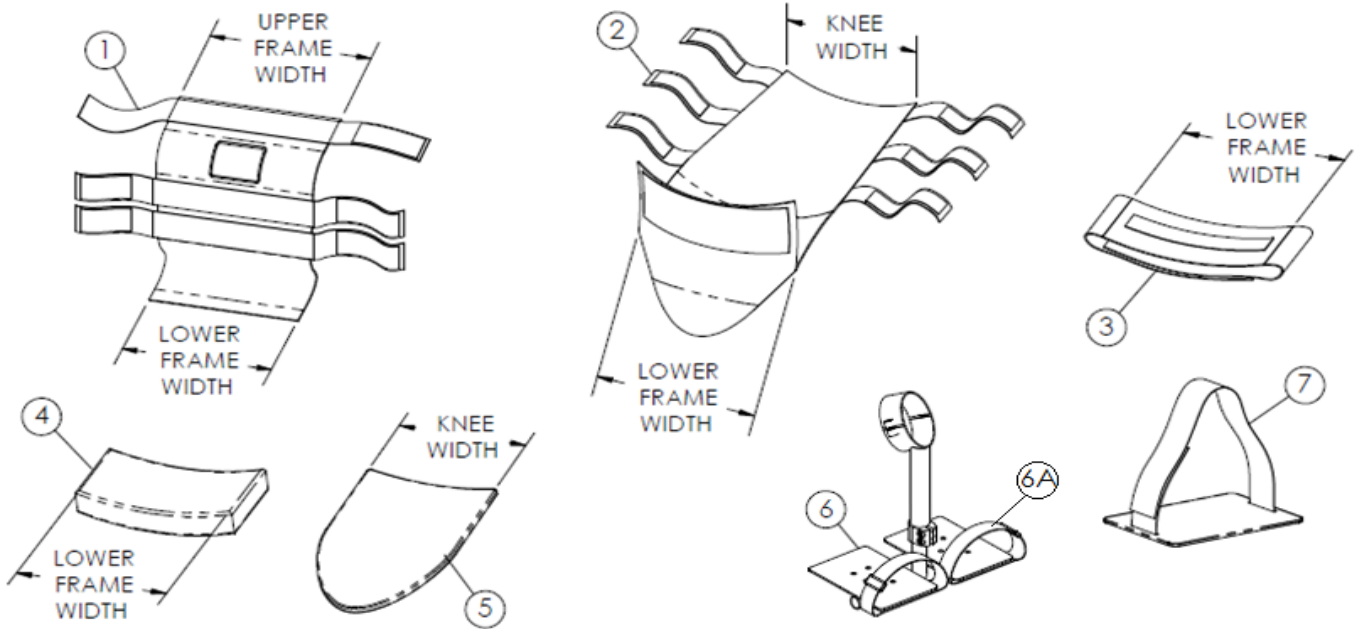
Invacare Top End Sports and Recreation Products

(800) 532-8677 (727) 522-8677 fax: (727) 522-1007

Parts Order Diagram:

Eliminator: Upholstery and Footrest

Date:	PO#:	SO#:
Bill To:	Ship To:	
Quote #:	Phone:	Serial #:



Item Number	Part Number	Per Chair	Upper Frame Width				Lower Frame Width				Knee Width				Description	Qty	
			<input type="checkbox"/> 10"	<input type="checkbox"/> 10-1/2"	<input type="checkbox"/> 11"	<input type="checkbox"/> 11-1/2"	<input type="checkbox"/> 10"	<input type="checkbox"/> 10-1/2"	<input type="checkbox"/> 11"	<input type="checkbox"/> 11-1/2"	<input type="checkbox"/> 10"	<input type="checkbox"/> 10-1/2"	<input type="checkbox"/> 11"	<input type="checkbox"/> 11-1/2"			
1	1145978	1	<input type="checkbox"/> 12"	<input type="checkbox"/> 12-1/2"	<input type="checkbox"/> 13"	<input type="checkbox"/> 13-1/2"	<input type="checkbox"/> 14"	<input type="checkbox"/> 14-1/2"	<input type="checkbox"/> 15"	<input type="checkbox"/> 15-1/2"	<input type="checkbox"/> 16"	<input type="checkbox"/> 16-1/2"	<input type="checkbox"/> 17"	Back Upholstery -specify above: Upper Frame Width, Lower Frame Width <input type="checkbox"/> Digital <input type="checkbox"/> Woodland <input type="checkbox"/> Black		EA	
2	1145979	1	Kneel Upholstery - specify above: Lower Frame Width,														EA
3	1145980	1	Seat Upholstery -specify above: Lower Frame Width,														EA
4	1145981	1	Seat Cushion - specify above: Lower Frame Width,														EA
5	1145982	1	Kneel Foam, 1/2" Black Foam -specify above Knee Width														EA
6	1127931	1	Footrest, Bolt-on Assembly (Includes Straps)														EA
6A	1060815	1	Footplate Strap to Bolt-on footrest														EA
7	1152934	1	Footrest Sling-Style -includes plate and strap														EA
	1063578	1	ELMOSR sling style footrest strap: 2" wide x 25" hook & loop														EA
	1145883	1	Additional 2" Strap, Specify Length:														EA



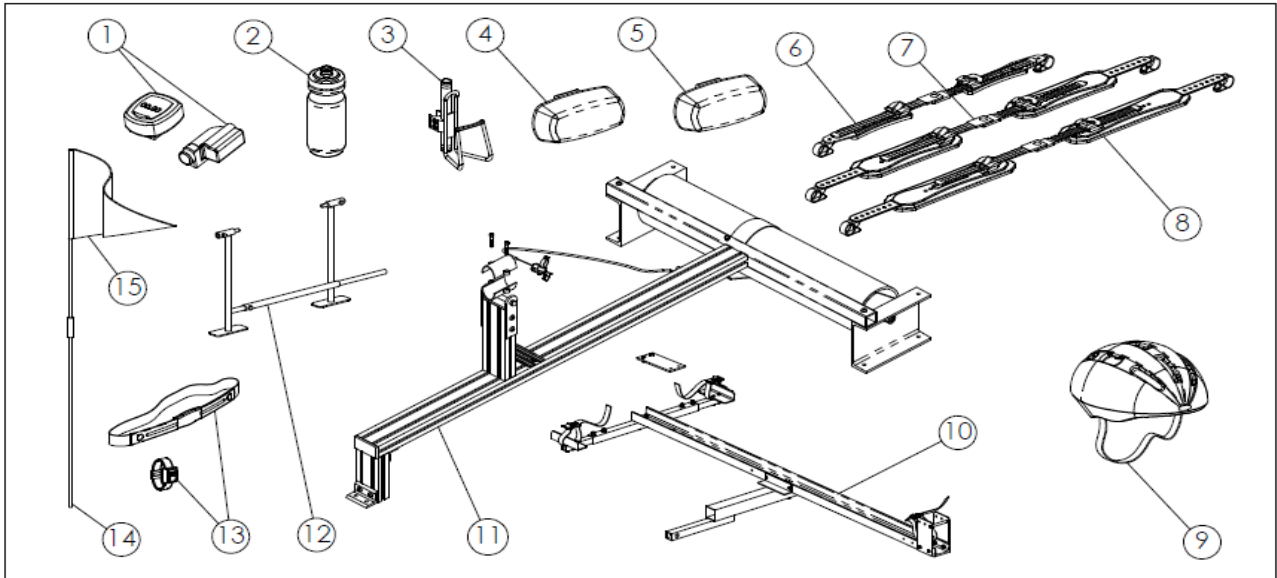
Invacare Top End Sports and Recreation Products

(800) 532-8677 (727) 522-8677 fax: (727) 522-1007

Parts Order Diagram:

Eliminator: Accessories

Date:	PO#:	SO#:
Bill To:	Ship To:	
Quote #:	Phone:	Serial #:



Item Number	Part Number	Description	Qty	
1	1056875	Cordless Computer		EA
2	1166517	Water Bottle		EA
3	1068718	Water Bottle & Cage		EA
4	1068721	Front Safety Light (clear)		EA
5	1060841	Rear Flashing Light		EA
6	1152963	Click Strap Set, 8" (small)		EA
7	1152964	Click Strap Set, 10" (medium)		EA
8	1152965	Click Strap Set, 12" (large)		EA
9	1060639	Helmet <input type="checkbox"/> Small / Medium <input type="checkbox"/> Medium / Large		EA
10	1068771	Bike Rack for trailer hitch <input type="checkbox"/> 1-1/4" (std) <input type="checkbox"/> 2"		EA
11	ELM42	Indoor Training Roller		EA
12	1109717	Alignment Guage		EA
13	113799	Heart Monitor (Chest Strap and Watch)		EA
14	1063516	Safety flag Kit (Includes: Flag, Holder, Clamp)		EA
15	106042	Safety Flag		EA
	Race4	Wheelbag		EA
	Race5	Top End Racing Suit (Short Sleeve - one size fits all)		EA
	Race22	Top End T-Shirt: <input type="checkbox"/> Large <input type="checkbox"/> Extra Large		EA